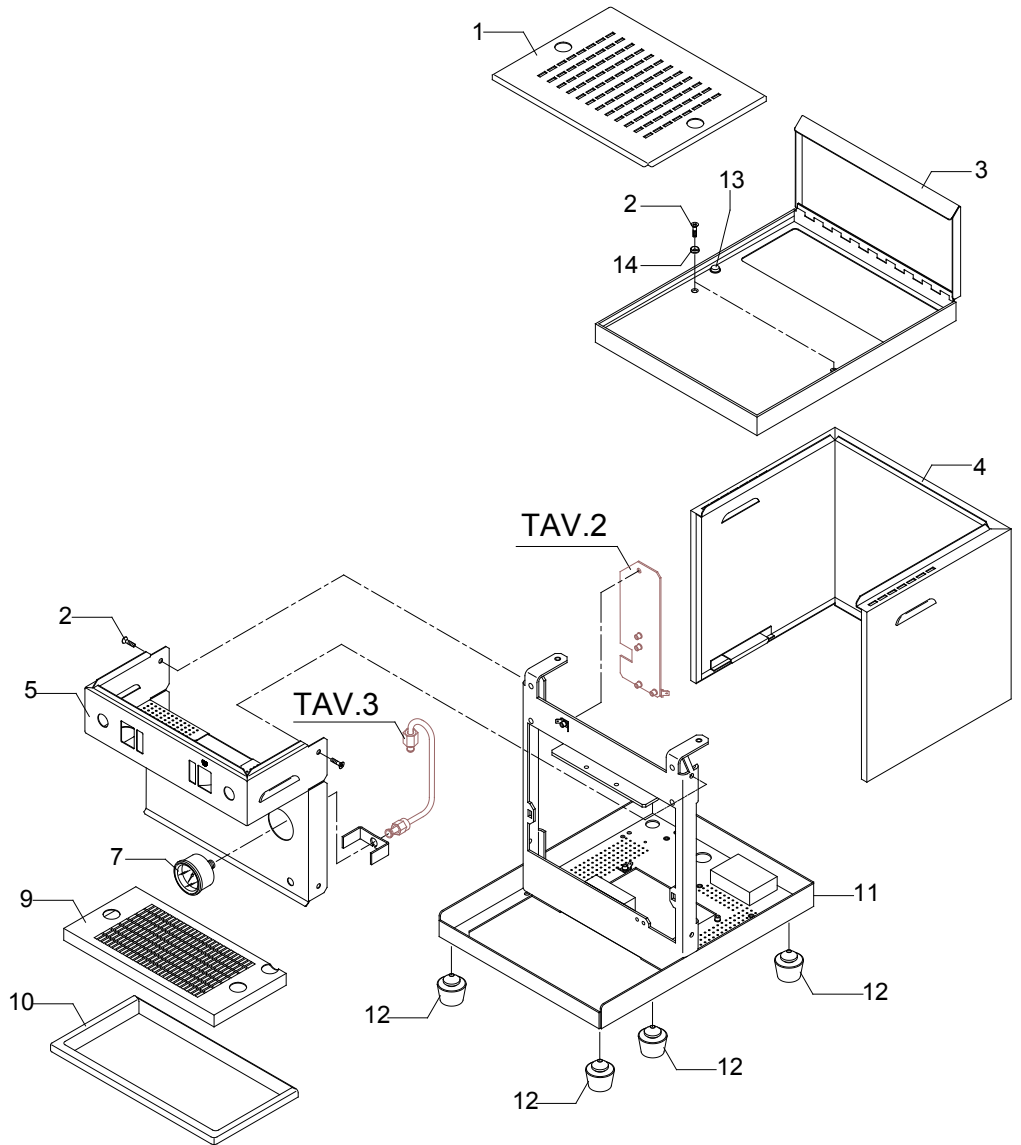


LIVIA90S



Table 1
Mod. PM



	POS	CODE	DESCRIPTION
TABLE 1E Mod. DE	1	5074579LW	CUPS-HEATER GRID (from 01/2001)
	1	5074570LW	CUPS-HEATER GRID
	2	7817801	SCREW TPS M4 X 16
	3	5961553	ASSEMBLY CUPS-HEATER (from 01/2001)
	4	5344015.01	ASSEMBLY BODY STAINLESS STEEL POLISHED
	4	5344015.01SG	ASSEMBLY BODY STAINLESS STEEL POLISHED (PASQUINI)
	5	5344018.01SG	DIAPHRAGM FRONTAL PANEL WITH PRESSURE GAUGE
	7	7432501	PRESSURE GAUGE D41 0-2.5 BAR PAINTED
	9	5074571LW	DRIP TRAY GRID
	9	5074587LW	DRIP TRAY GRID
	10	7373002	DRIP TRAY ABS
	10	5070644DL	DRIP TRAY
	11	5344013	ASSEMBLY CHASSIS BLACK SEMIPOLISHED RAL 9005 (up to 04.03.2006)
	11	5344013.01	ASSEMBLY CHASSIS BLACK SEMIPOLISHED RAL 9005 (from 05.03.2006)
12	7474202	RUBBER FEET (up to 04.03.2006)	
12	7474216	FEET (from 05.03.2006)	
13	7999904	ADHESIVE RUBBER TOP	
14	5221846	WASHER FOR SPRING D4 H3 OT NICKEL-PLATED	

Table 1E
Mod. DE

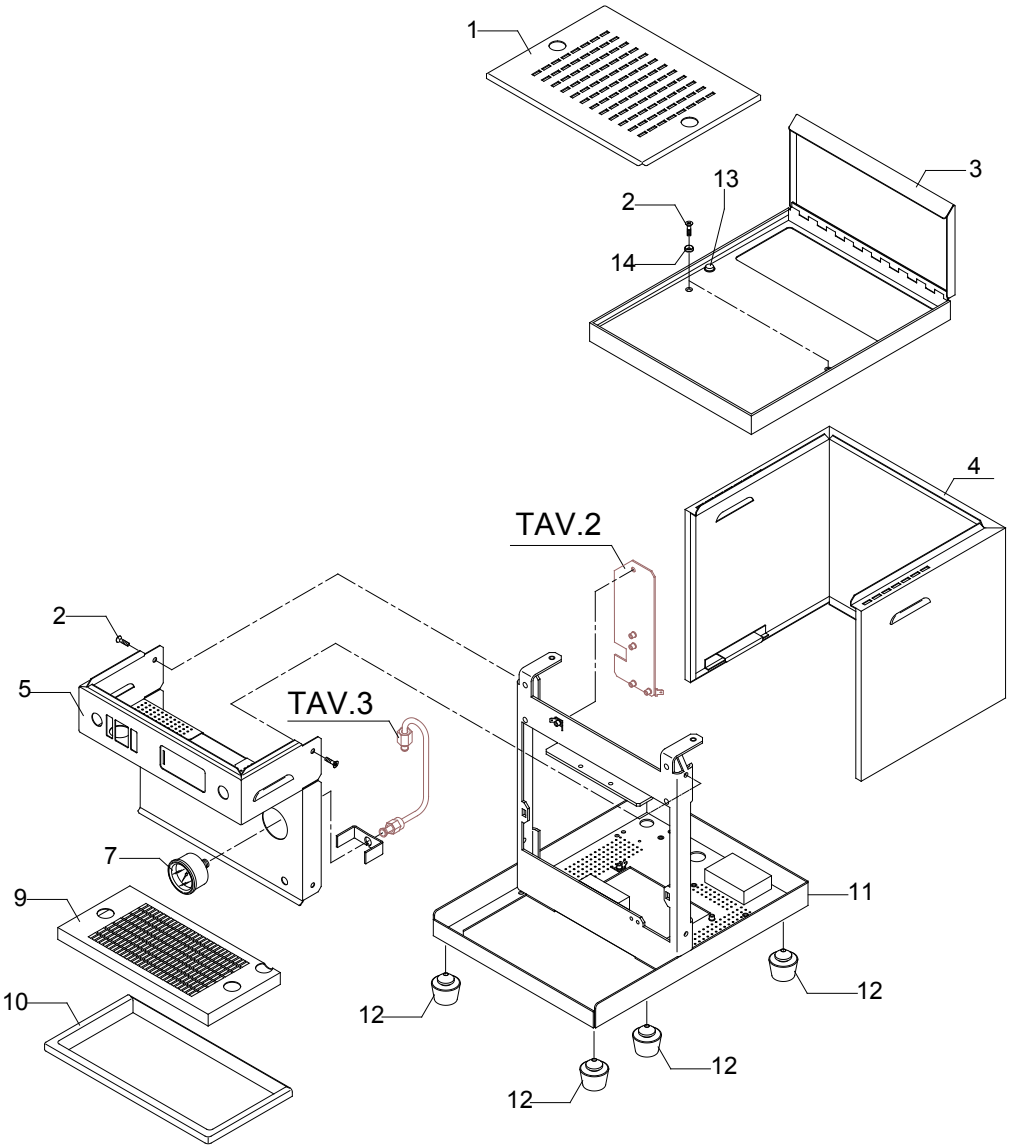


Table 2
Mod. PM

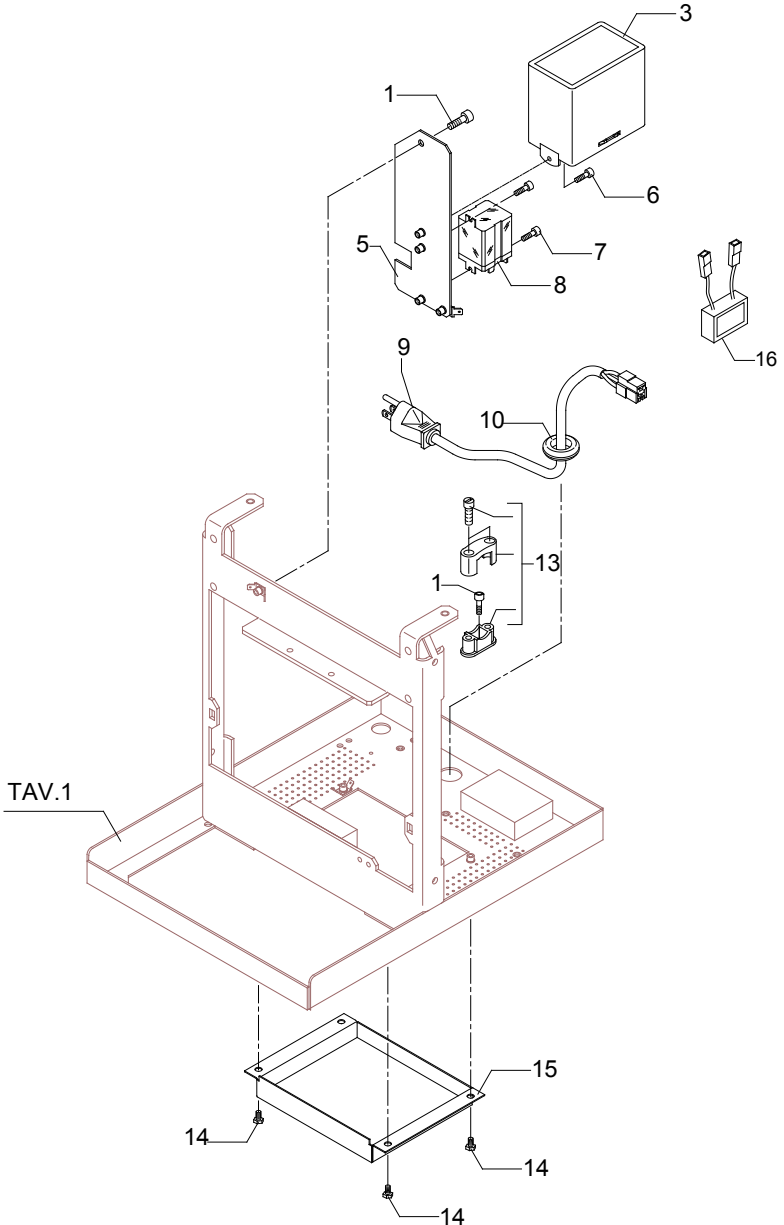


TABLE 2E Mod. DE

POS	CODE	DESCRIPTION
1	7816002	SCREW TCEI M4X12
3	7662650.01	DOSAGE 3S 110V
3	7662651.01	DOSAGE 3S 220/230V
3	7662652.01	DOSAGE 3S 240V
5	5055706LL	ELECTRIC PARTS SUPPORT PLATE
6	7816004	SCREW TCEI M4 X 16
7	7816017	SCREW TCEI M4X6
8	7635418	RELAY 16A 110V 2 CONTACTS FASTON (from 15/01/04)
8	7635419	RELAY 16A 220/230V 2 CONTACTS FASTON (from 15/01/04)
8	7635420	RELAY 16A 240V 2 CONTACTS FASTON (from 15/01/04)
8	7635403	RELAY 30A 110V (up to 14/01/04)
8	7635410	RELAY 30A 220/230V (up to 14/01/04)
8	7635401	RELAY 30A 240V (up to 14/01/04)
9	7552001	CABLE WITH AUSTRALIAN PLUG
9	7555001	CABLE WITH SCHUKO PLUG
9	7551001	CABLE WITH USA PLUG 125V 15A
9	7551003	CABLE WITH USA PLUG 250V 20A
9	7554001	CABLE WITH ENGLISH PLUG
10	7613004	FAIRLEAD WITH HOLE RUBBER
13	7614005	CABLE-PRESS
14	7816004	SCREW TCEI M4 X 16
15	5373102.01	HEATING ELEMENT PROTECTION
16	5660518	MEMBRANE WHITE PUSH BUTTON
17	7636603	STRIP-LINE 7 POLES
18	7663558	CONNECTING CABLE L=380MM
19	7663005R	FILTER RC

Table 2E
Mod. DE

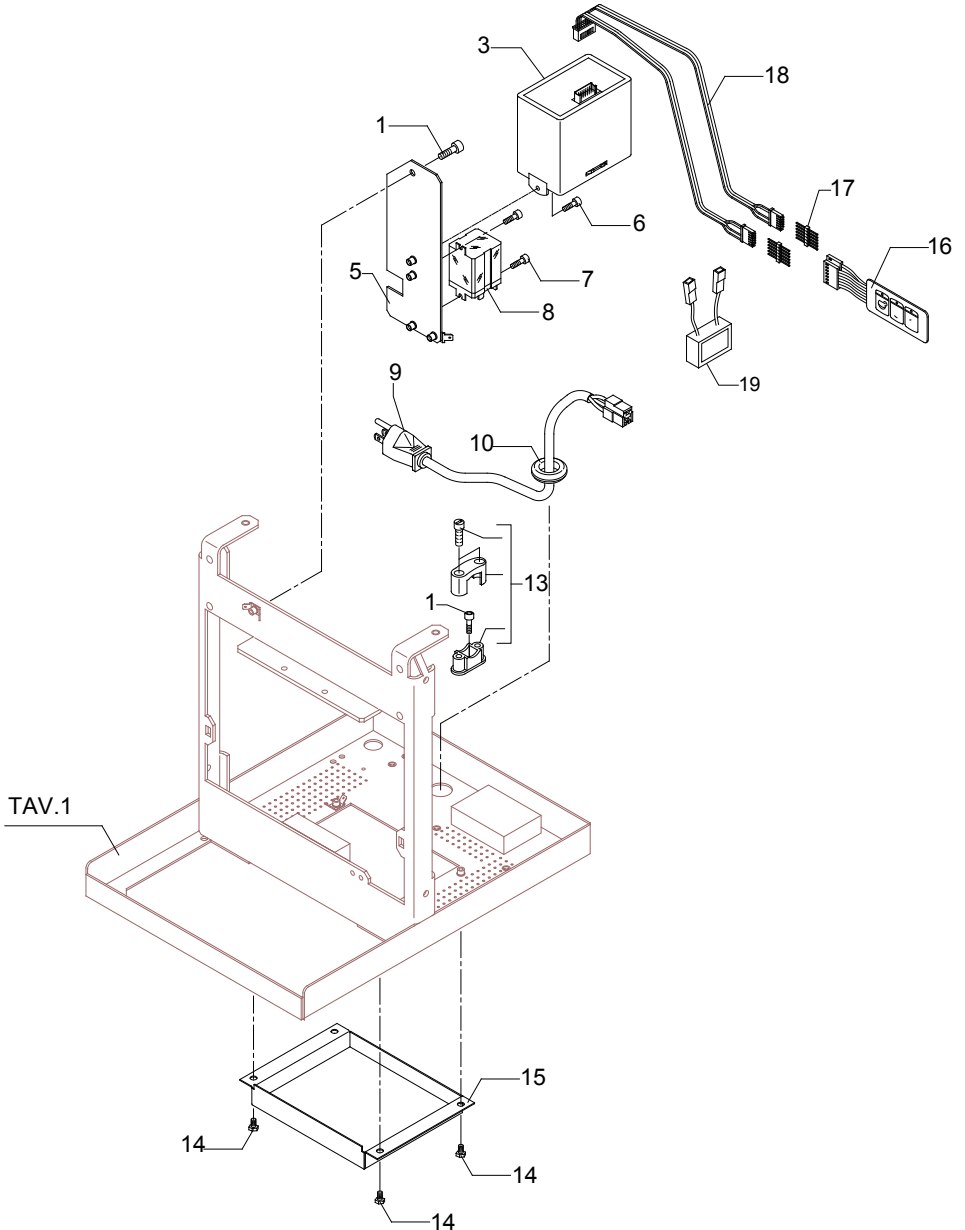


Table 3 (up to 10.01.06)
Mod. DE - PM

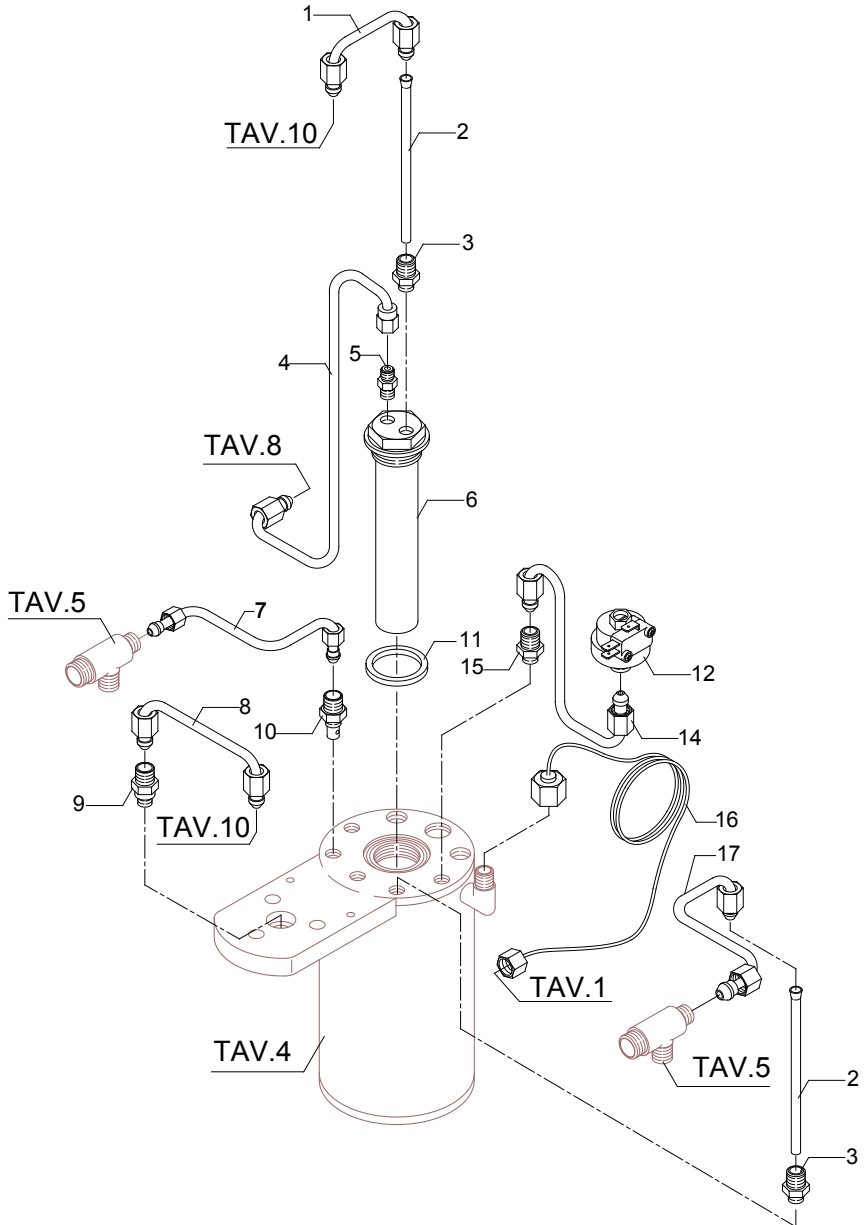


TABLE 3 (up to 30.09.08) Mod. DE - PM

POS	CODE	DESCRIPTION
1	5162185.01LL	EXCHANGER-GROUP SOLENOID VALVE HOSE
2	5192301	SUCTION HOSE D6 L= 130MM PTFE
3	5302006TP	STRAIGHT FITTING 1/8"G X M12
4	5162184.01LL	EXCHANGER- SURPRESSION VALVE HOSE
5	7304502TR	STRAIGHT FITTING 1/8"G OT
6	5329005.01TP	ASSEMBLY EXCHANGER HOSE POLISHED
7	5162057LL	STEAM TAP HOSE
8	5162056LL	HOSE FOR SOLENOID VALVE OF GROUP
9	5302003	STRAIGHT FITTING M12 X 1/8"G OT H23
10	5302007	STRAIGHT FITTING M12 X 1/8"G OT H33
11	5495007	GASKET D32 X 3 BRASS
12	7433008	PRESSOSTAT 1/4"G 1,2 BAR 21A
14	5162152LL	PRESSOSTAT HOSE
15	5302004	STRAIGHT FITTING 1/8"G X M12 OT
16	7400901	CAPILLARY 1/8" M12X1
17	5162055LL	WATER TAP HOSE

Table 3 (up to 30.09.08)
Mod. DE - PM

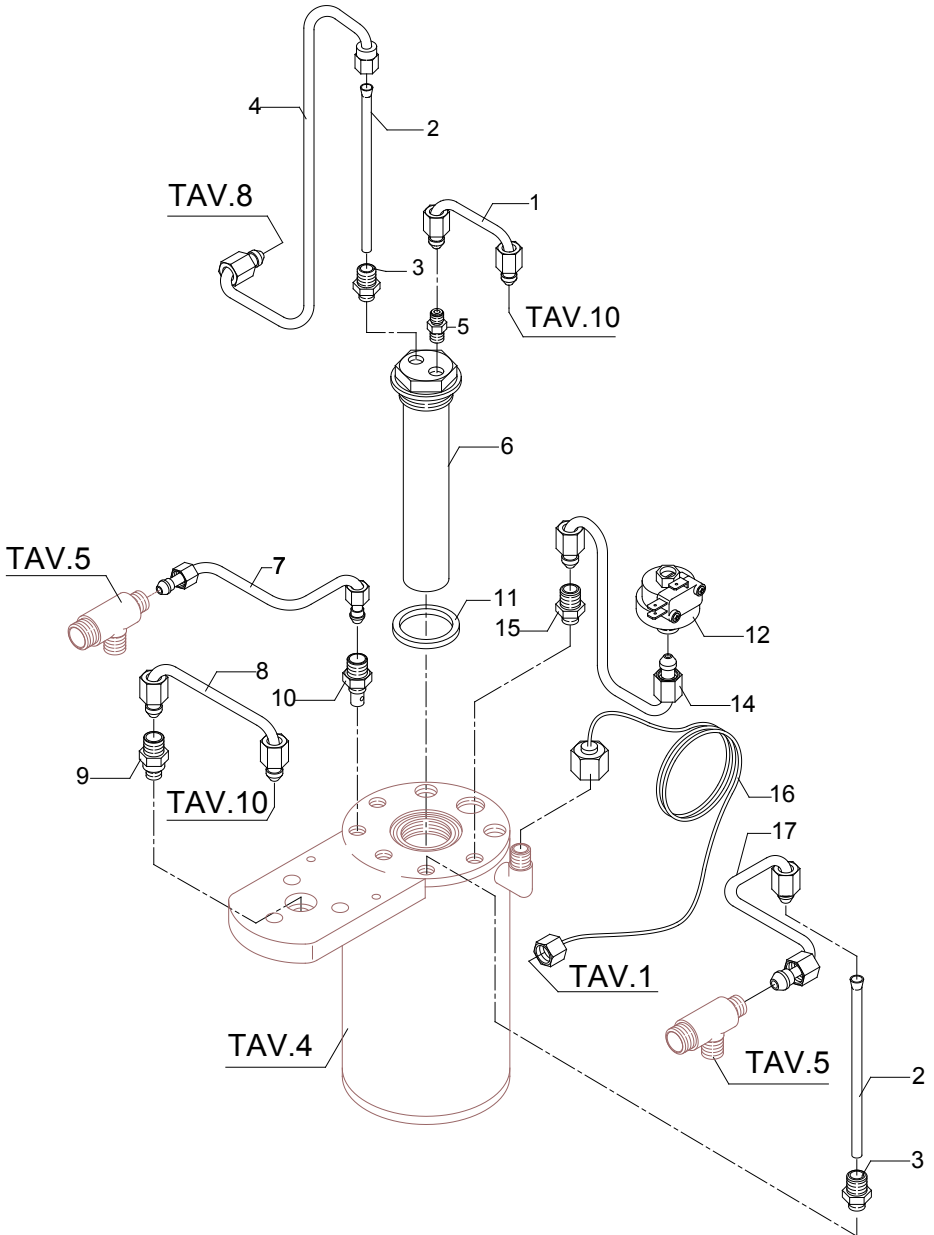
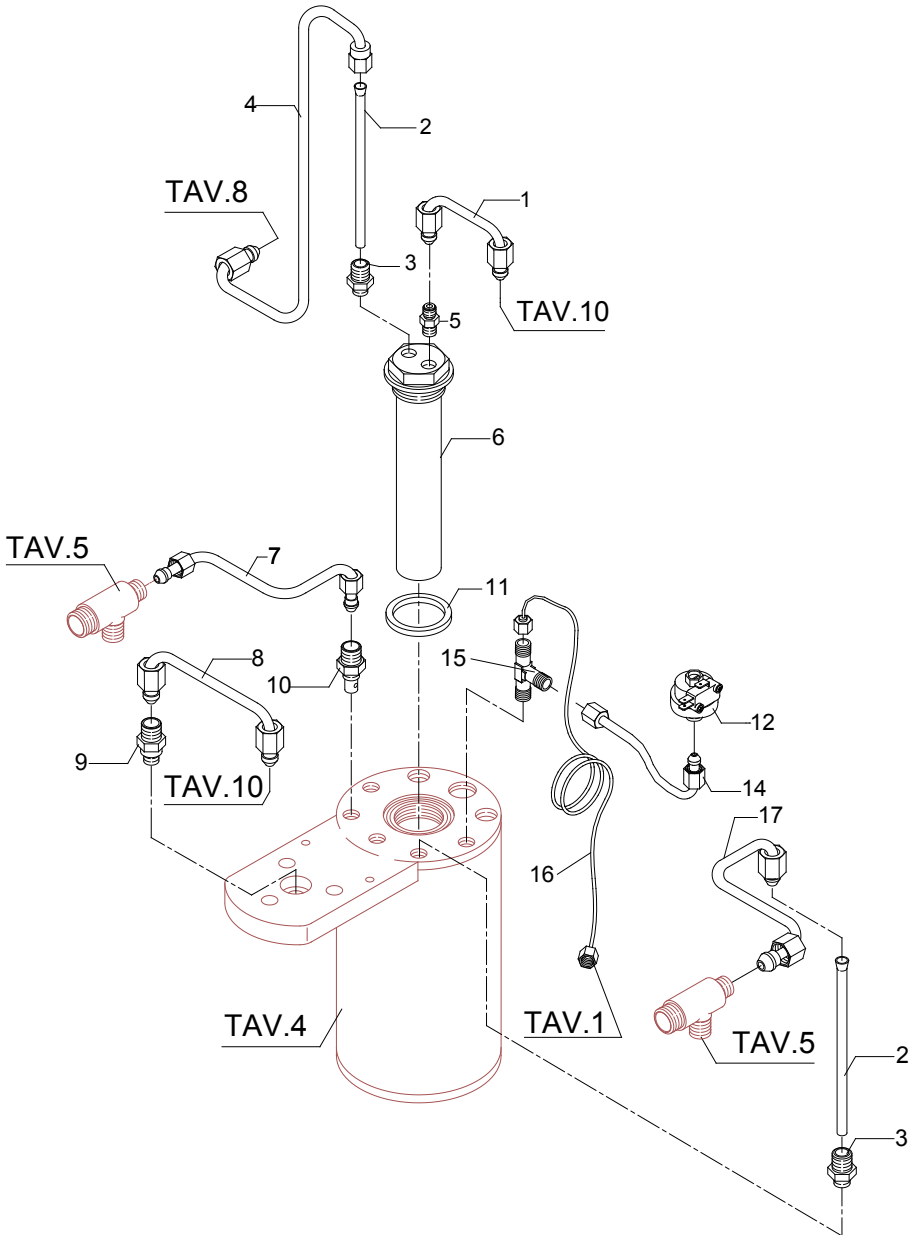


TABLE 3 (up to 09.02.10) Mod. DE - PM

POS	CODE	DESCRIPTION
1	5162185.01LL	EXCHANGER-GROUP SOLENOID VALVE HOSE
2	5192301	SUCTION HOSE D6 L=130MM PTFE
3	5302006TP	STRAIGHT FITTING 1/8"G X M12
4	5162184.01LL	EXCHANGER- SURPRESSION VALVE HOSE
5	7304502TR	STRAIGHT FITTING 1/8"G OT
6	5329005.01TP	ASSEMBLY EXCHANGER HOSE POLISHED
7	5162057LL	STEAM TAP HOSE
8	5162056LL	HOSE FOR SOLENOID VALVE OF GROUP
9	5302003	STRAIGHT FITTING M12 X 1/8"G OT H23
10	5302007	STRAIGHT FITTING M12 X 1/8"G OT H33
11	5495007	GASKET D32 X 3 BRASS
12	7433008	PRESSOSTAT 1/4"G 1,2 BAR 21A
14	5162152.01LL	PRESSOSTAT HOSE
15	7304514TR	FITTING
16	7400902	PRESSURE GAUGE CAPILLARY
17	5162055LL	WATER TAP HOSE

Table 3 (up to 09.02.10)
Mod. DE - PM



	POS	CODE	DESCRIPTION
TABLE 3 from 10.02.10) Mod. DE - PM	1	5162185LL	EXCHANGER-GROUP SOLENOID VALVE HOSE
	2	5192301	SUCTION HOSE D6 L= 130MM PTFE
	3	5302006TP	STRAIGHT FITTING 1/8"G X M12
	4	5162184.01LL	EXCHANGER- SURPRESSION VALVE HOSE
	6	5329005.01TP	ASSEMBLY EXCHANGER HOSE POLISHED
	7	5162057LL	STEAM TAP HOSE
	8	5162056LL	HOSE FOR SOLENOID VALVE OF GROUP
	9	5302003	STRAIGHT FITTING M12 X 1/8"G OT H23
	10	5302007	STRAIGHT FITTING M12 X 1/8"G OT H33
	11	5495007	GASKET D32 X 3 BRASS
	12	7433008	PRESSOSTAT 1/4"G 1,2 BAR 21A
	14	5162152.01LL	PRESSOSTAT HOSE
	15	7304514TR	FITTING
	16	7400902	PRESSURE GAUGE CAPILLARY
	17	5162055LL	WATER TAP HOSE

Table 3 (from 10.02.10)
Mod. DE - PM

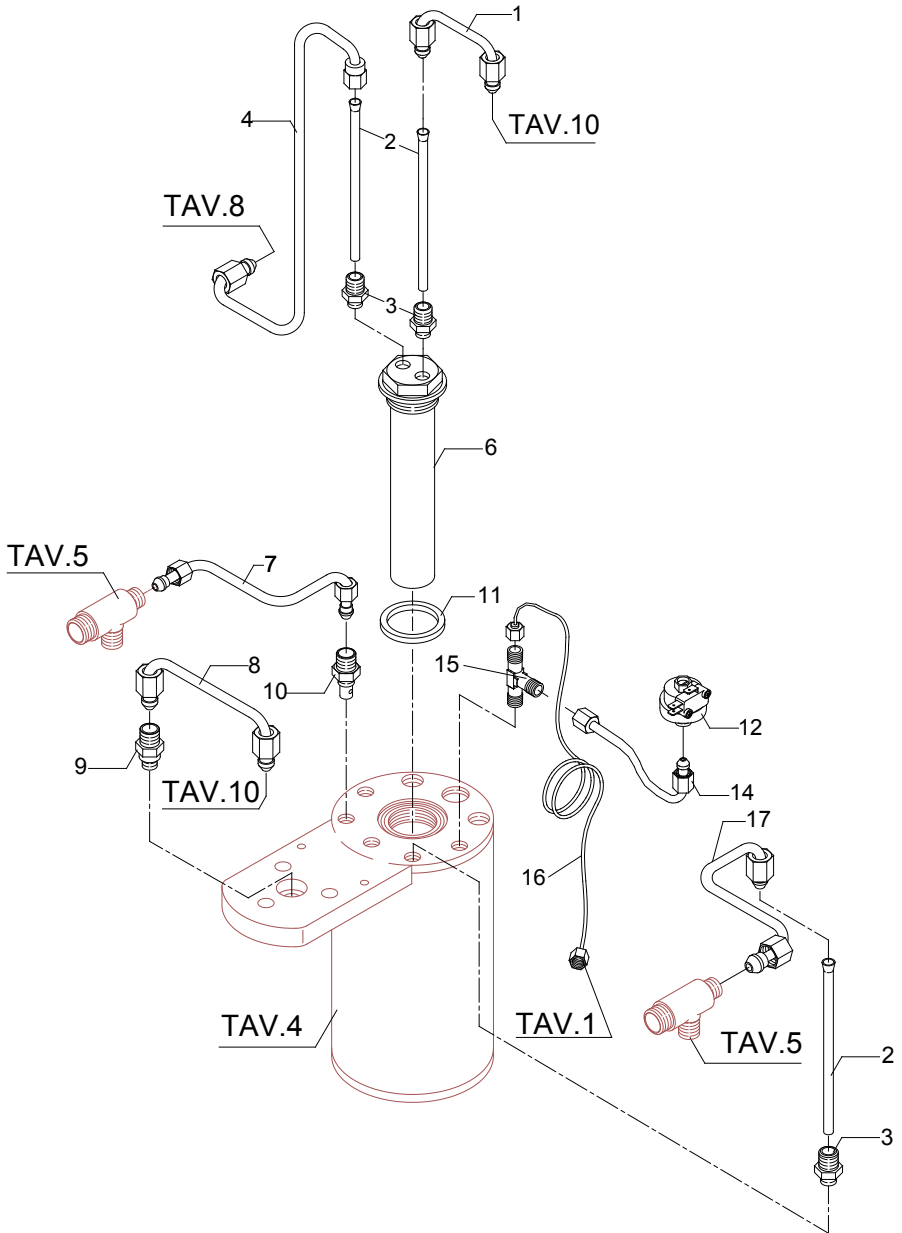
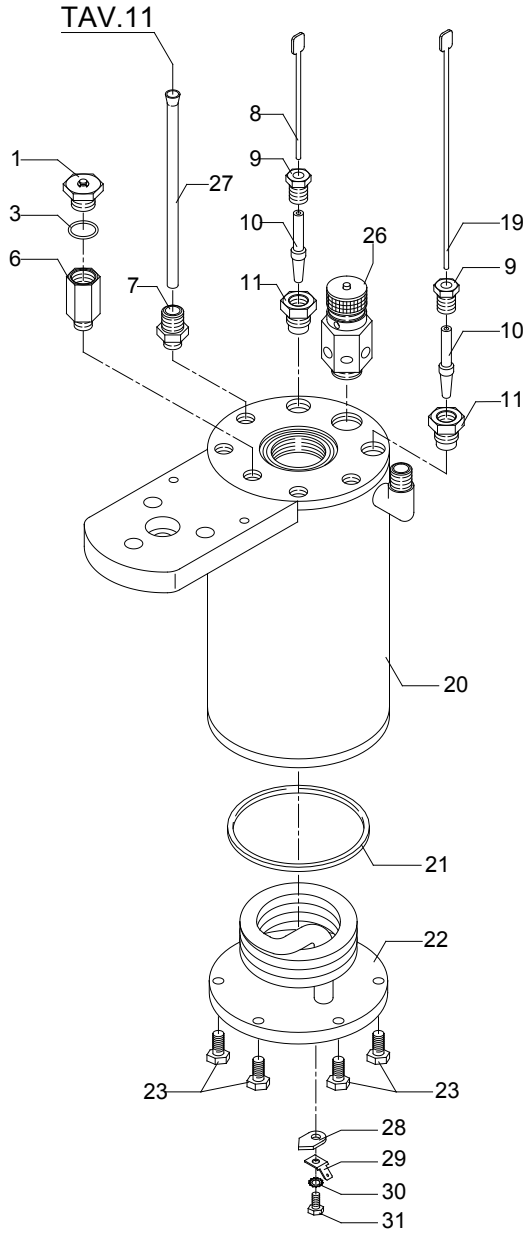
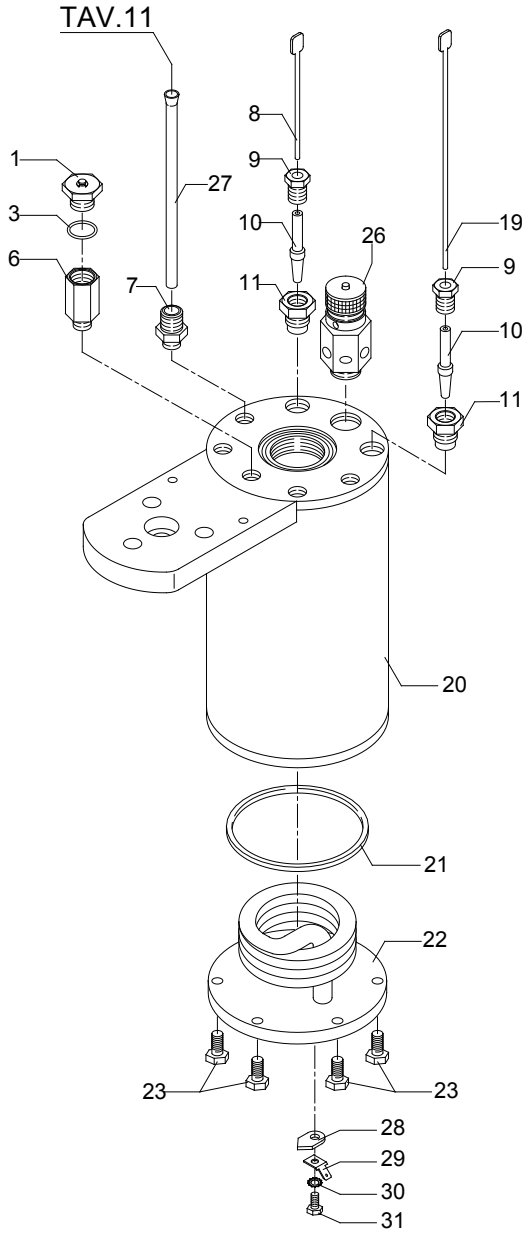


Table 4 (up to 30.09.08)
Mod. DE - PM vers. NO "CE"



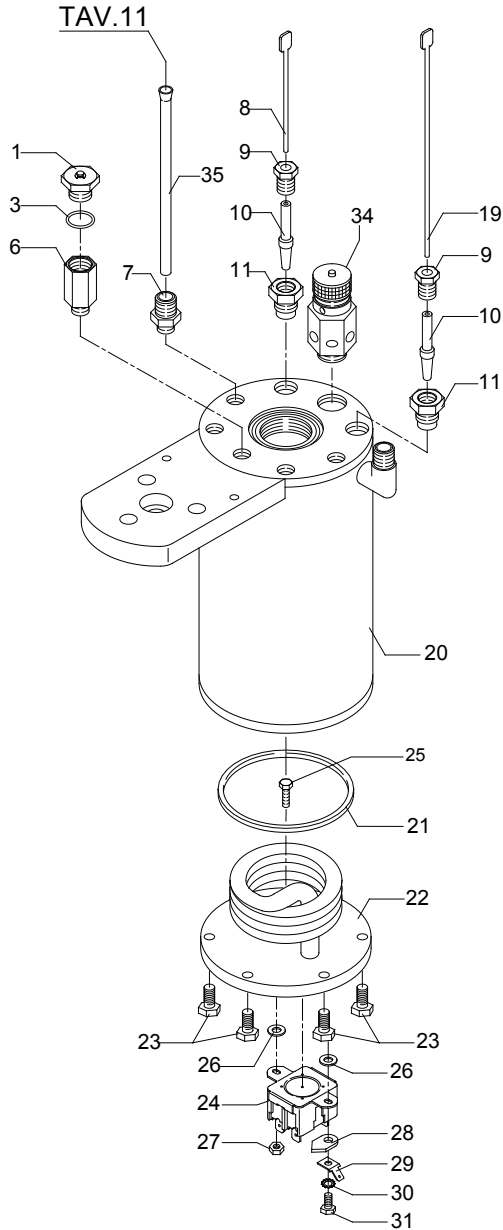
	POS	CODE	DESCRIPTION
TABLE 4 (from 01.10.08) Mod. DE - PM vers. NO "CE"	1	7452511	DRAIN VALVE (NEW)
	3	7496010	OR GASKET (ONLY FOR OLD VALVE)
	6	5225277	FITTING 1/8"G CONIC
	7	5302006TP	STRAIGHT FITTING 1/8"G X M12
	8	5265804	LEVEL PROBE 1GR D3 X 110 X 6.3
	9	5225205	STRAIGHT FITTING M10 OT
	10	5192001	PROBE SHEATH D8 X 45 HOLE D3 PTFE
	11	5225209TP	STRAIGHT FITTING 1/4"G X M10 OT
	19	5265811	LEVEL PROBE D3X160X4.8
	20	5320503.01BL	ASSEMBLY BOILER POLISHED
	21	7496040	OR GASKET D73 X 3 VITON
	22	5721007	HEATING ELEMENT V100 W1200
	22	5721128TP	HEATING ELEMENT V110/120 W1200
	22	5722239TP	HEATING ELEMENT 220/240V W1100-1300
	23	7816422	SCREW TE M6X14 UNI 5739 OT
	26	7452509.02	SAFETY VALVE
	27	5192301	SUCTION HOSE D6 L= 130MM PTFE
	28	7614501	EARTHED LABEL
	29	7615003	FASTON 45° HOLE D4.3
	30	7814001	WASHER D4 DIN 6798A A2
	31	7816409	SCREW TE M4X8 UNI 5739 A2

Table 4 (from 01.10.08)
Mod. DE - PM vers. NO "CE"



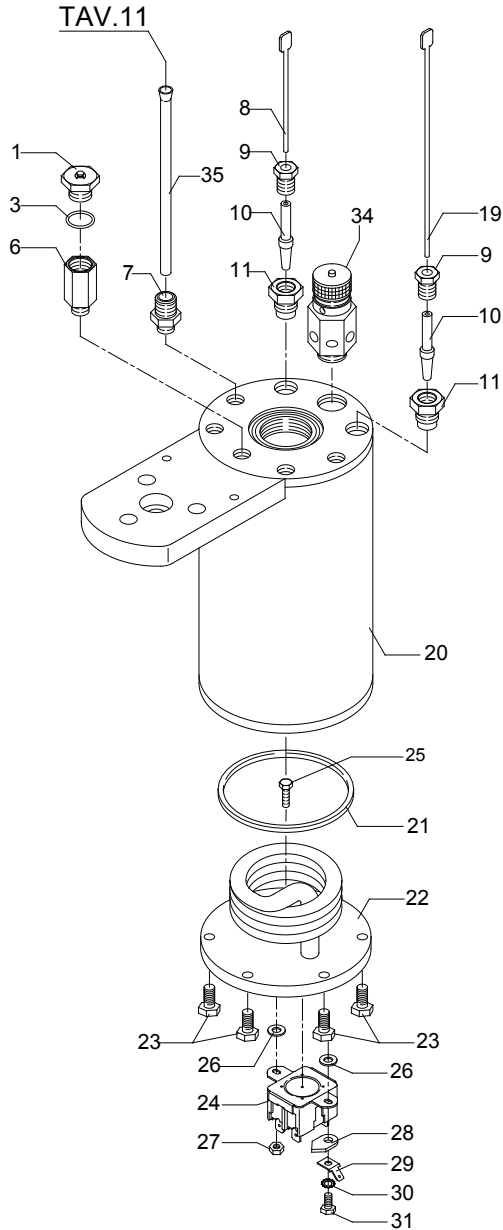
	POS	CODE	DESCRIPTION	
TABLE 4A (up to 30.09.08) Mod. DE - PM vers. "CE"	1	7452511	DRAIN VALVE (NEW)	
	3	7496010	OR GASKET (ONLY FOR OLD VALVE)	
	6	5225277	FITTING 1/8" G CONIC	
	7	5302006TP	STRAIGHT FITTING 1/8" G X M12	
	8	5265804	LEVEL PROBE 1GR D3 X 110 X 6.3	
	9	5225205	STRAIGHT FITTING M10 OT	
	10	5192001	PROBE SHEATH D8 X 45 HOLE D3 PTFE	
	11	5225209TP	STRAIGHT FITTING 1/4" G X M10 OT	
	19	5265811	LEVEL PROBE D3X160X4.8	
	20	5320503.01BL	ASSEMBLY BOILER POLISHED	
	21	7496040	OR GASKET D73 X 3 VITON	
	22	5721007	HEATING ELEMENT V100 W1200	
	22	5721128TP	HEATING ELEMENT V110/120 W1200	
	22	5722239TP	HEATING ELEMENT 220/240V W1100-1300	
	23	7816422	SCREW TE M6X14 UNI 5739 OT	
	24	7634813	THERMIC SAFETY DEVICE 250V 115°C	
	25	7826402	SCREW TE M4X16 UNI 5739 OT	
	26	7825003	WASHER D5X1 UNI 6592 OT	
	27	7822603	NUT M4	
	28	7614501	EARTHED LABEL	
	29	7615003	FASTON 45° HOLE D4.3	
	30	7814001	WASHER D4 DIN 6798A A2	
	31	7816409	SCREW TE M4X8 UNI 5739 A2	
	34	7452509.02	SAFETY VALVE	
	35	5192301	SUCTION HOSE D6 L=130MM PTFE	

Table 4A (up to 30.09.08)
Mod. DE - PM vers. "CE"



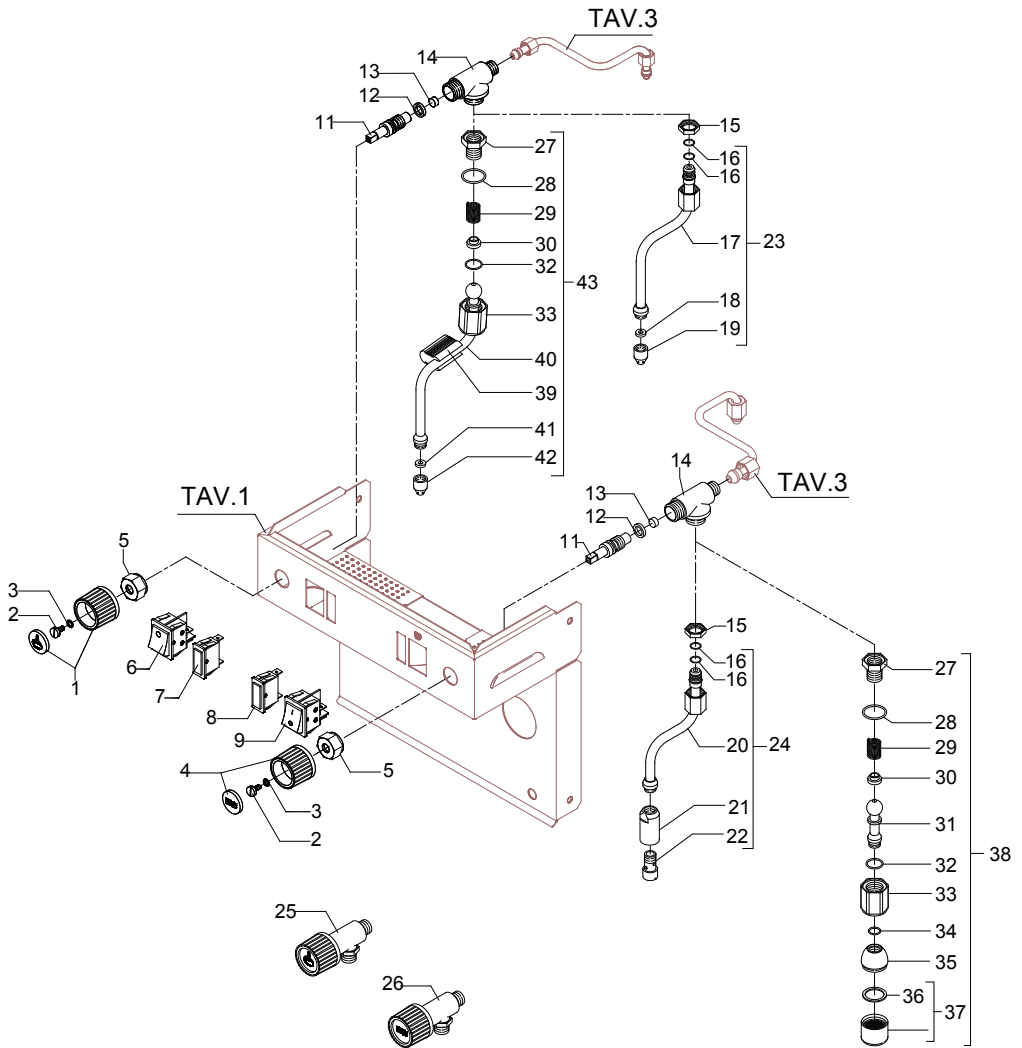
	POS	CODE	DESCRIPTION	
TABLE 4A (from 01.10.08) Mod. DE - PM vers. "CE"	1	7452511	DRAIN VALVE (NEW)	
	3	7496010	OR GASKET (ONLY FOR OLD VALVE)	
	6	5225277	FITTING 1/8"G CONIC	
	7	5302006TP	STRAIGHT FITTING 1/8"G X M12	
	8	5265804	LEVEL PROBE 1GR D3 X 110 X 6.3	
	9	5225205	STRAIGHT FITTING M10 OT	
	10	5192001	PROBE SHEATH D8 X 45 HOLE D3 PTFE	
	11	5225209TP	STRAIGHT FITTING 1/4"G X M10 OT	
	19	5265811	LEVEL PROBE D3X160X4.8	
	20	5320503.01BL	ASSEMBLY BOILER POLISHED	
	21	7496040	OR GASKET D73 X 3 VITON	
	22	5721007	HEATING ELEMENT V100 W1200	
	22	5721128TP	HEATING ELEMENT V110/120 W1200	
	22	5722239TP	HEATING ELEMENT 220/240V W1100-1300	
	23	7816422	SCREW TE M6X14 UNI 5739 OT	
	24	7634819	THERMIC SAFETY DEVICE 250V 130°C	
	25	7826402	SCREW TE M4X16 UNI 5739 OT	
	26	7825003	WASHER D5X1 UNI 6592 OT	
	27	7822603	NUT M4	
	28	7614501	EARTHED LABEL	
	29	7615003	FASTON 45° HOLE D4.3	
	30	7814001	WASHER D4 DIN 6798A A2	
	31	7816409	SCREW TE M4X8 UNI 5739 A2	
	34	7452509.02	SAFETY VALVE	
	35	5192301	SUCTION HOSE D6 L= 130MM PTFE	

Table 4A (from 01.10.08)
Mod. DE - PM vers. "CE"



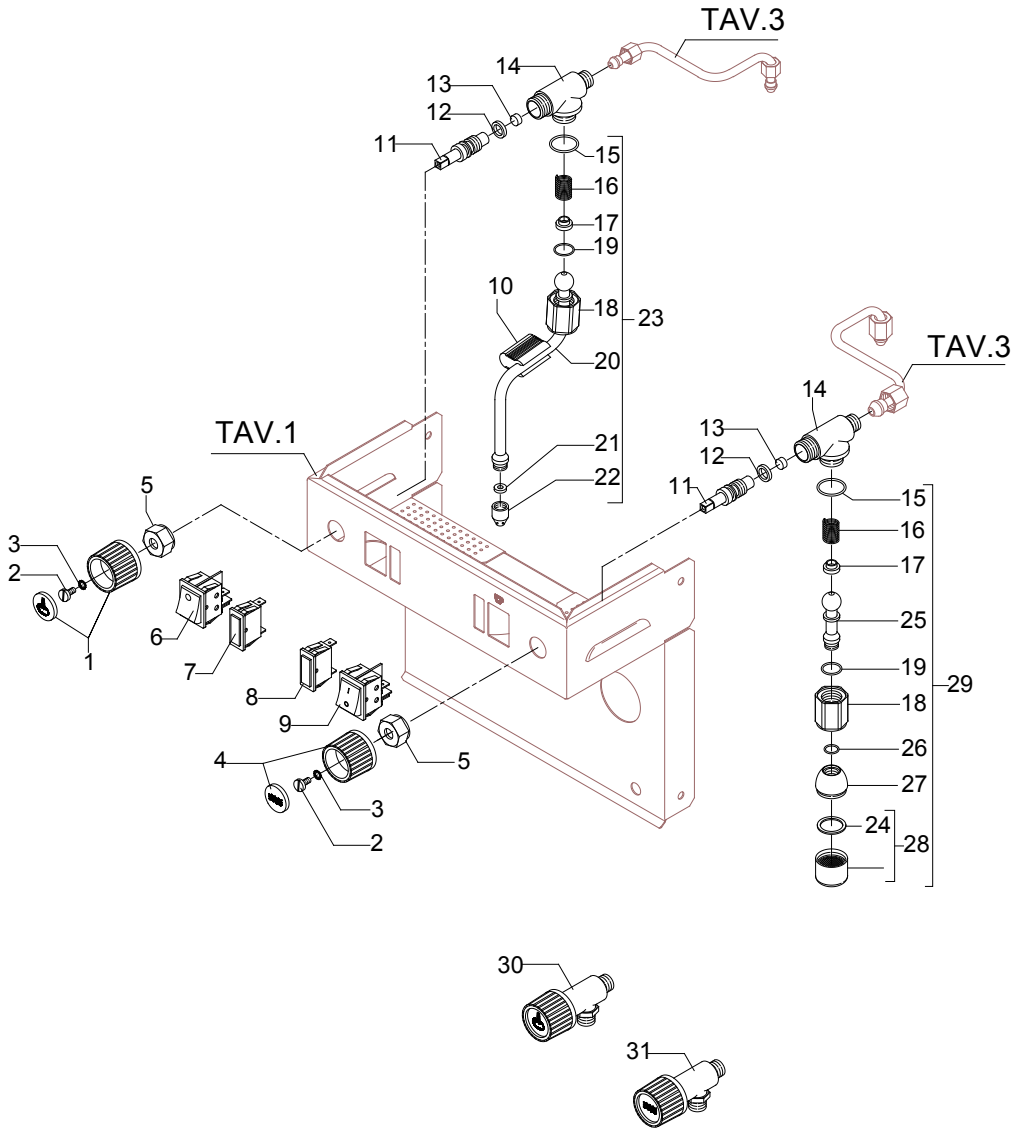
	POS	CODE	DESCRIPTION
TABLE 5 (up to 31.08.03) Mod. PM	1	5973001	COMPLETE STEAM KNOB
	2	7816205	SCREW TCI M4X10 UNI 6107 OT
	3	7814001	WASHER D4 DIN 6798A A2
	4	5973002	COMPLETE WATER KNOB
	5	5221802CM	NUT 3/8" G H11.5 OT CHROMED
	6	7633313	BIPOLAR SWITCH WITH LED
	7	7633614	YELLOW LAMP 110/240V
	8	7633613	GREEN LAMP 110/240V
	9	7632103	UNIPOLAR SWITCH 250V 16A WITH FASTON 6.3
	11	5960505	ASSEMBLY ADJUSTMENT ROD
	12	7496001	OR GASKET D7.6 X 2.62 VITON
	13	5493001	GASKET D8 X 4 EPT 70SH
	14	5283001	TAP BODY 3/8" G X M13 OT
	15	5221801	NUT M13 H4 OT
	16	7496037	OR GASKET D6 X 2 VITON
	17	5163017CM	STEAM HOSE CHROMED
	18	5494001	GASKET D8.5 X 5 X 3.2 PTFE
	19	5226602	STEAM HOSE TERMINAL CHROMED
	20	5163018CM	COMPLETE WATER HOSE CHROMED
	21	5226605CM	WATER TERMINAL CHROMED
	22	5225250	FITTING M10 OT
	23	5966503	ASSEMBLY COMPLETE STEAM HOSE
	24	5966504	ASSEMBLY COMPLETE WATER HOSE
	25	5974029	COMPLETE STEAM TAP
	26	5974030	ASSEMBLY WATER TAP
	27	5225407	REDUCTION GEAR M/F 3/8" M13X1 OT
	28	7496072	OR GASKET 121
	29	5471531	SPRING
	30	5220605	COMPLETE CUP
	31	5225607TW	WATER HOSE CHROMED
	32	7496073	OR GASKET 115 EP856
	33	5221870CM	ARTICULATION NUT 3/8" G ES22 H25 CHROMED
	34	7496003	OR GASKET 108 VITON
	35	5226610TW	WATER HOSE TERMINAL D23.5X18 OT CHROMED
	36	5493003	GASKET D20.5X15 H2 NBR 70SH
	37	5226601TW	WATER HOSE TERMINAL M22 CHROMED
	38	5963061	ASSEMBLY COMPLETE WATER HOSE
	39	7371001	INSULATING
	40	5163151CM	STEAM HOSE LI90 WITH ARTICULATION CHROMED
	41	5494001	GASKET D8.5 X 5 X 3.2 PTFE
	42	5226602	STEAM HOSE TERMINAL
	43	5963060	ASSEMBLY COMPLETE STEAM HOSE

Table 5 (up to 31.08.03)
Mod. PM



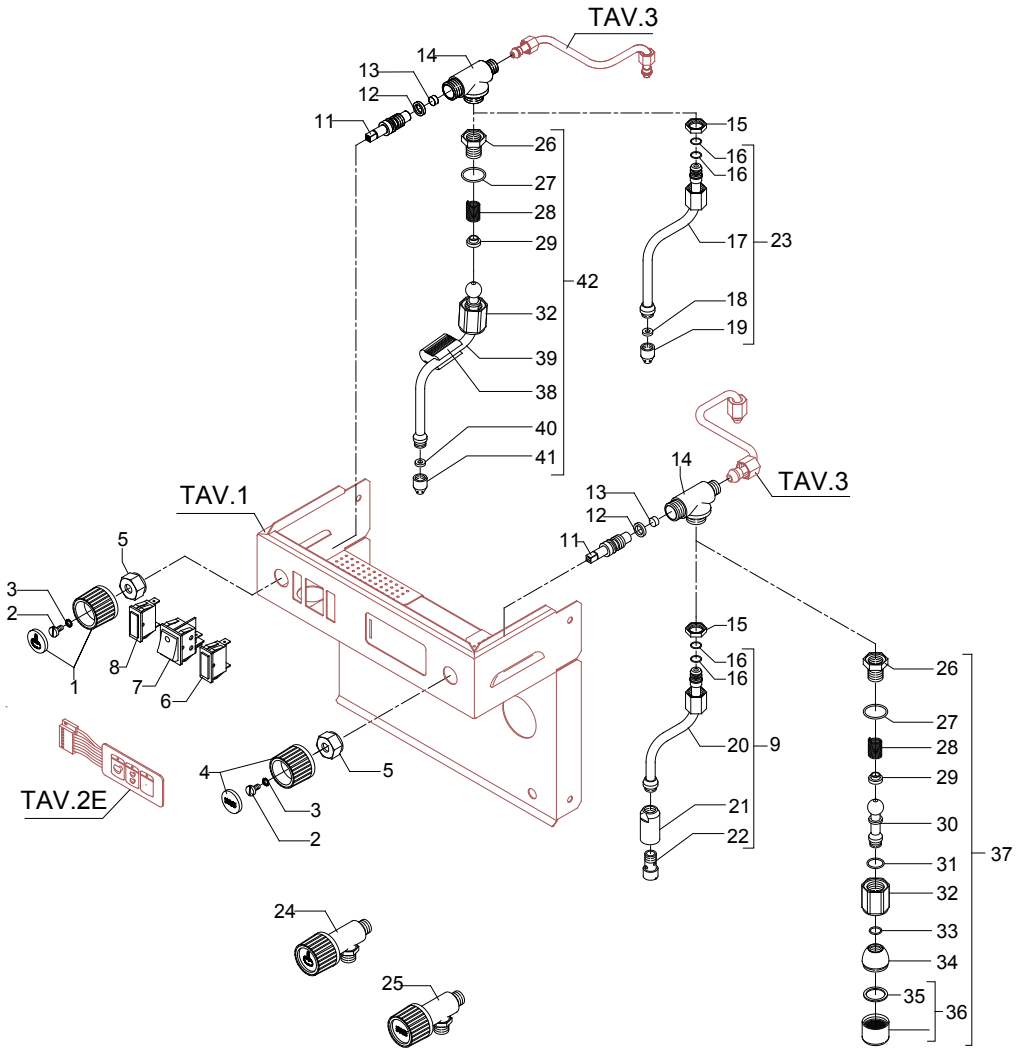
	POS	CODE	DESCRIPTION
TABLE 5 (from 01.09.03) Mod. PM	1	5973001	COMPLETE STEAM KNOB
	2	7816205	SCREW TCI M4X10 UNI 6107 OT
	3	7814001	WASHER D4 DIN 6798A A2
	4	5973002	COMPLETE WATER KNOB
	5	5221802CM	NUT 3/8" G H11.5 OT CHROMED
	6	7633313	BIPOLAR SWITCH WITH LED
	7	7633614	YELLOW LAMP 110/240V
	8	7633613	GREEN LAMP 110/240V
	9	7632103	UNIPOLAR SWITCH 250V 16A WITH FASTON 6.3
	10	7371001	INSULATING
	11	5960505	ASSEMBLY ADJUSTMENT ROD
	12	7496001	OR GASKET D7.6 X 2.62 VITON
	13	5493001	GASKET D8 X 4 EPT 70SH
	14	5283039	TAP BODY 3/8" G X 3/8" G X M13 OT
	15	7496072	OR GASKET 121
	16	5471532	SPRING
	17	5190501	COMPLETE CUP
	18	5221872TW	NUT 3/8" G
	19	7496073	OR GASKET 115 EP856
	20	5163151CM	STEAM HOSE CHROMED
	21	5494001	GASKET D8.5 X 5 X 3.2 PTFE
	22	5226602	STEAM HOSE TERMINAL CHROMED
	23	5966532R	ASSEMBLY COMPLETE STEAM HOSE
	24	5493003	GASKET D20.5X15 H1.5 NBR 70SH
	25	5225607TW	WATER HOSE CHROMED
	26	7496003	OR GASKET 108 VITON
	27	5226610TW	WATER HOSE TERMINAL D23.5X18 OT CHROMED
	28	5226601TW	WATER HOSE TERMINAL M22 CHROMED
	29	5966531R	ASSEMBLY COMPLETE WATER HOSE
	30	5974029.01	COMPLETE STEAM TAP
	31	5974030.01	ASSEMBLY WATER TAP

Table 5 (from 01.09.03)
Mod. PM



	POS	CODE	DESCRIPTION
TABLE 5A (up to 31.08.03) Mod. DE	1	5973001	COMPLETE STEAM KNOB
	2	7816205	SCREW TCI M4X10 UNI 6107 OT
	3	7814001	WASHER D4 DIN 6798A A2
	4	5973002	COMPLETE WATER KNOB
	5	5221802CM	NUT 3/8" G H11.5 OT CHROMED
	6	7633614	YELLOW LAMP 110/240V
	7	7633313	BIPOLAR SWITCH WITH LED
	8	7633613	GREEN LAMP 110/240V
	9	5966504	ASSEMBLY COMPLETE WATER HOSE
	11	5960505	ASSEMBLY ADJUSTMENT ROD
	12	7496001	OR GASKET D7.6 X 2.62 VITON
	13	5493001	GASKET D8 X 4 EPT 70SH
	14	5283001	TAP BODY 3/8" G X M13 OT
	15	5221801	NUT M13 H4 OT
	16	7496037	OR GASKET D6 X 2 VITON
	17	5163017CM	STEAM HOSE CHROMED
	18	5494001	GASKET D8.5 X 5 X 3.2 PTFE
	19	5226602	STEAM HOSE TERMINAL CHROMED
	20	5163018CM	COMPLETE WATER HOSE CHROMED
	21	5226605CM	WATER TERMINAL CHROMED
	22	5225250	FITTING M10 OT
	23	5966503	ASSEMBLY COMPLETE STEAM HOSE
	24	5974029	COMPLETE STEAM TAP
	25	5974030	ASSEMBLY WATER TAP
	26	5225407	REDUCTION GEAR M/F 3/8" M13X1 OT
	27	7496072	OR GASKET 121
	28	5471531	SPRING
	29	5220605	COMPLETE CUP
	30	5225607TW	WATER HOSE CHROMED
	31	7496073	OR GASKET 115 EP856
	32	5221870CM	ARTICULATION NUT 3/8" G ES22 H25 CHROMED
	33	7496003	OR GASKET 108 VITON
	34	5226610TW	WATER HOSE TERMINAL D23.5X18 OT CHROMED
	35	5493003	GASKET D20.5X15 H2 NBR 70SH
	36	5226601TW	WATER HOSE TERMINAL M22 CHROMED
	37	5963061	ASSEMBLY COMPLETE WATER HOSE
	38	7371001	INSULATING
	39	5163151CM	STEAM HOSE LI90 WITH ARTICULATION CHROMED
	40	5494001	GASKET D8.5 X 5 X 3.2 PTFE
	41	5226602	STEAM HOSE TERMINAL
	42	5963060	ASSEMBLY COMPLETE STEAM HOSE

Table 5A (up to 31.08.03)
Mod. DE



	POS	CODE	DESCRIPTION
TABLE 5A (from 01.09.03) Mod. DE	1	5973001	COMPLETE STEAM KNOB
	2	7816205	SCREW TCI M4X10 UNI 6107 OT
	3	7814001	WASHER D4 DIN 6798A A2
	4	5973002	COMPLETE WATER KNOB
	5	5221802CM	NUT 3/8"G H11.5 OT CHROMED
	6	7633614	YELLOW LAMP 110/240V
	7	7633313	BIPOLAR SWITCH WITH LED
	8	7633613	GREEN LAMP 110/240V
	9	5494001	GASKET D8.5 X 5 X 3.2 PTFE
	10	7371001	INSULATING
	11	5960505	ASSEMBLY ADJUSTMENT ROD
	12	7496001	OR GASKET D7.6 X 2.62 VITON
	13	5493001	GASKET D8 X 4 EPT 70SH
	14	5283039	TAP BODY 3/8"G X 3/8"G X M13 OT
	15	7496072	OR GASKET 121
	16	5471532	SPRING
	17	5190501	COMPLETE CUP
	18	5221872TW	NUT 3/8"G
	19	7496073	OR GASKET 115 EP856
	20	5163151CM	STEAM HOSE CHROMED
	21	5226602	STEAM HOSE TERMINAL CHROMED
	22	5966532R	ASSEMBLY COMPLETE STEAM HOSE
	23	5225607TW	WATER HOSE CHROMED
	24	7496003	OR GASKET 108 VITON
	25	5226610TW	WATER HOSE TERMINAL D23.5X18 OT CHROMED
	26	5226601TW	WATER HOSE TERMINAL M22 CHROMED
	27	5493003	GASKET D20.5X15 H1.5 NBR 70SH
	28	5966531R	ASSEMBLY COMPLETE WATER HOSE
	29	5974029.01	COMPLETE STEAM TAP
	30	5974030.01	ASSEMBLY WATER TAP

Table 5A (from 01.09.03)
Mod. DE

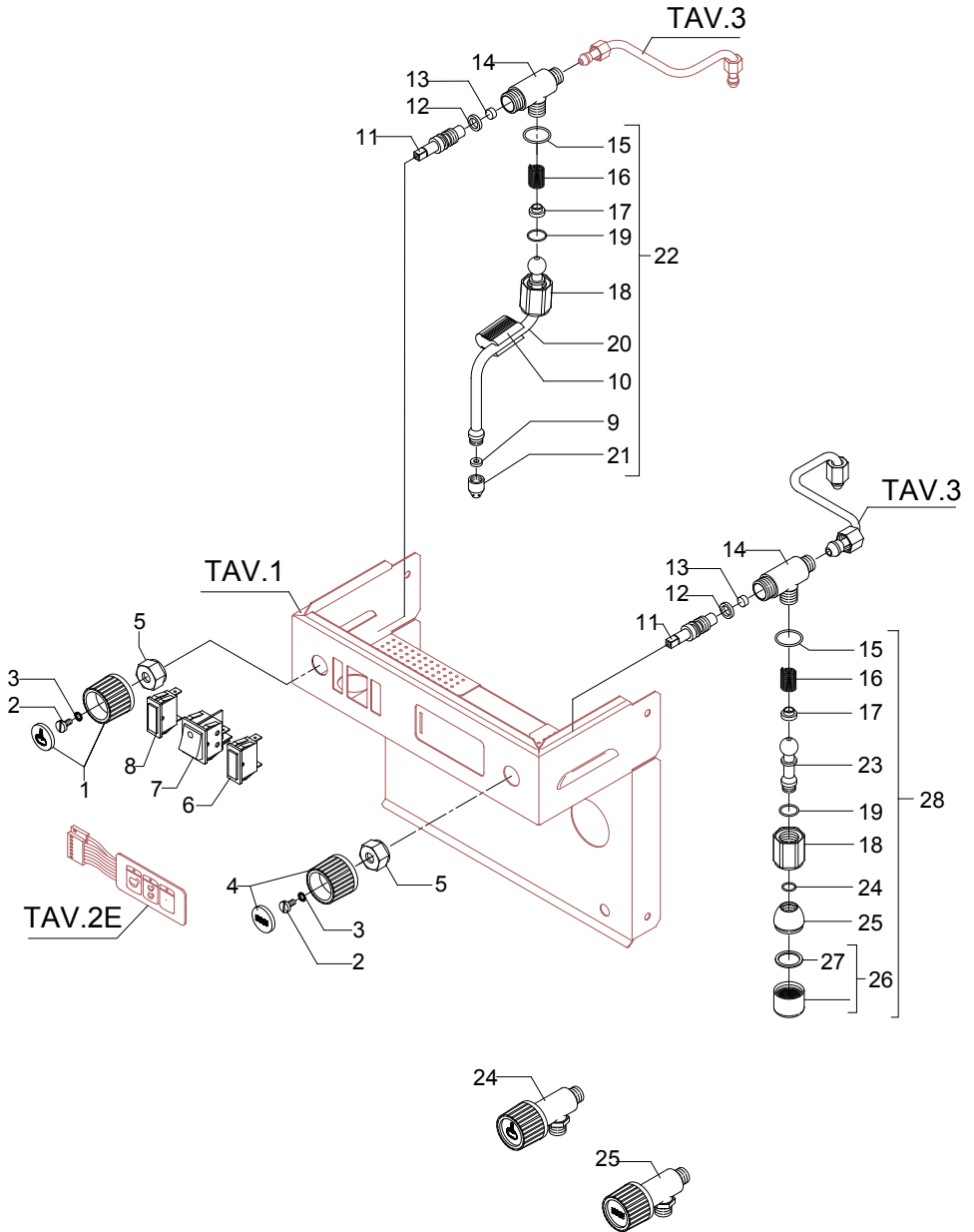
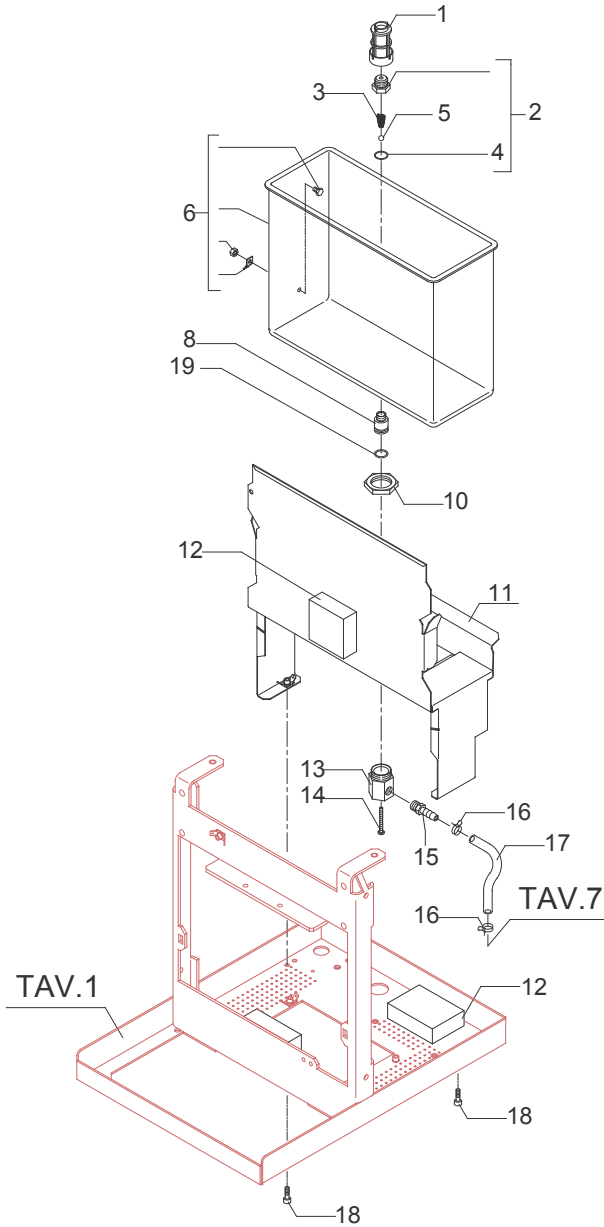


Table 6 (up to 09.03.06)
Mod. PM



	POS	CODE	DESCRIPTION
TABLE 6 (from 10.03.06) Mod. PM	1	7374002	FILTER 1/4"G H43,5 PLASTIC
	2	5225401	REDUCTION GEAR 1/4"G X M10 WITH GASKET
	3	5471521.01	COUPLING SPRING
	4	7496076	OR GASKET 112 70SH (up to 15.04.2006)
	4	7496073	OR GASKET 115 EP856 (from 16.04.2006)
	5	5471509	BALL 7/32" AISI 304
	6	7373006.01LL	TANK
	8	5224617	GASKET-HOLDER D14.5 X 25 OT
	10	5221830	NUT M20 H5 OT
	11	5963017.03	ASSEMBLY TANK SUPPORT
	12	7499904LL	ADHESIVE SPONGE 55X55X20
	13	5225228	FITTING M20 H28.5 OT
	14	7826206	SCREW TCI M3X30 UNI 6107 OT
	15	5225246	FITTING 1/8"G CONIC ES.10 H33 OT
	16	7611512	CLAMP
	17	5194528	CRISTAL HOSE D6 X 9 L=135MM
	18	7816009	SCREW TCEI M4X10
	19	7812601	NUT M4 STAINLESS STEEL
	20	7374004	WASHER D4 NYLON
	21	7819908	SCREW TTEI M4X8
	22	5471535	TANK SUPPORT SHAPED SPRING
	23	7809806	SCREW TC M 3,5X8 PLASTITE
	24	7496076	OR GASKET 112 70SH
	25	5963070.01	ASSEMBLY TANK WITH FILTER

Table 6 (from 10.03.06)
Mod. PM

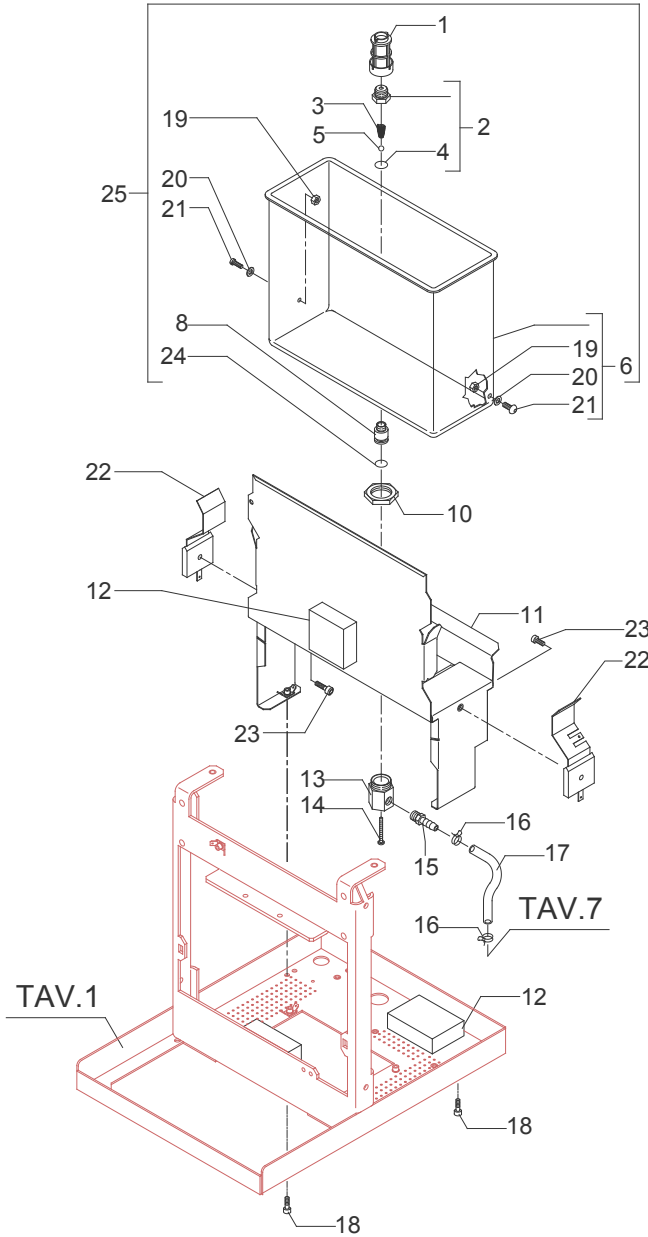


Table 6E (up to 09.03.06)
Mod. DE

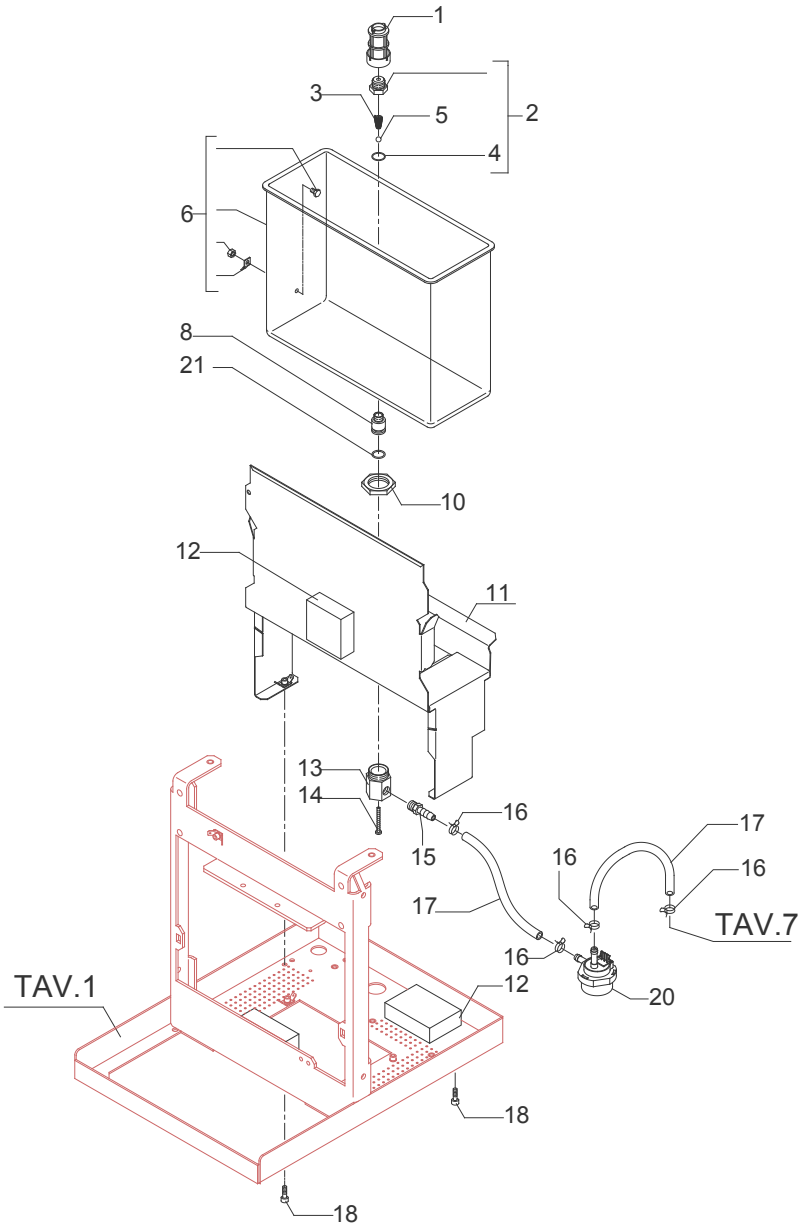
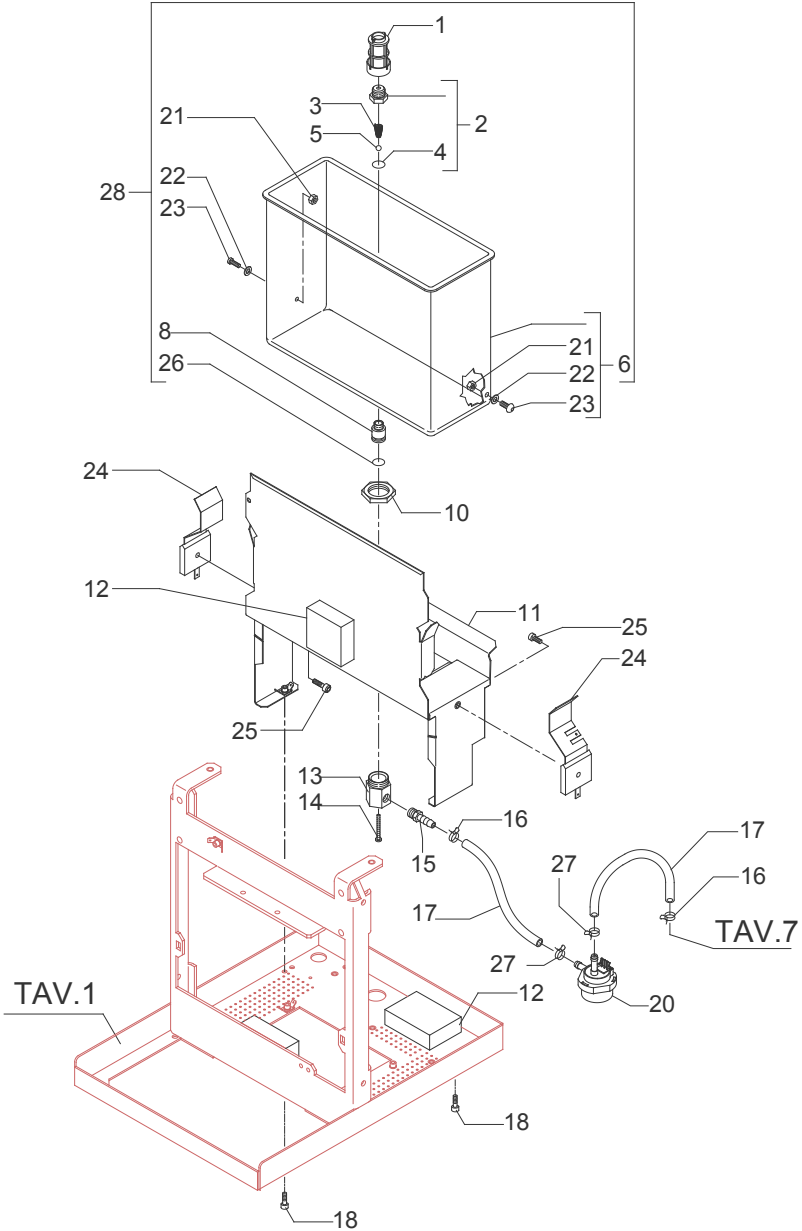


Table 6E (from 10.03.06)
Mod. DE



	POS	CODE	DESCRIPTION
TABLE 7 Mod. DE - PM	1	7303001TR	UNION ELBOW 1/8"G
	2	7303006	RUBBER-HOLDER FITTING
	3	7731018	VIBRATION PUMP EX5 100V C/OR
	3	7731019	VIBRATION PUMP EX5 120V WITH OR
	3	7731022	VIBRATION PUMP EX5 220V 60HZ WITH OR
	3	7731020	VIBRATION PUMP EX5 230V WITH OR
	3	7731021	VIBRATION PUMP EX5 240V WITH OR
4	7806002	SCREW TCEI M4 X 12 UNI 5931 8.8 ZN	
5	7805009	PLAIN WASHER D5 X 11 X 1	
6	5471534	PUMP SUPPORT SHAPED SPRING AISI 302	
7	5493023	TAP GASKET EPT 70SH	

Table 7
Mod. DE - PM

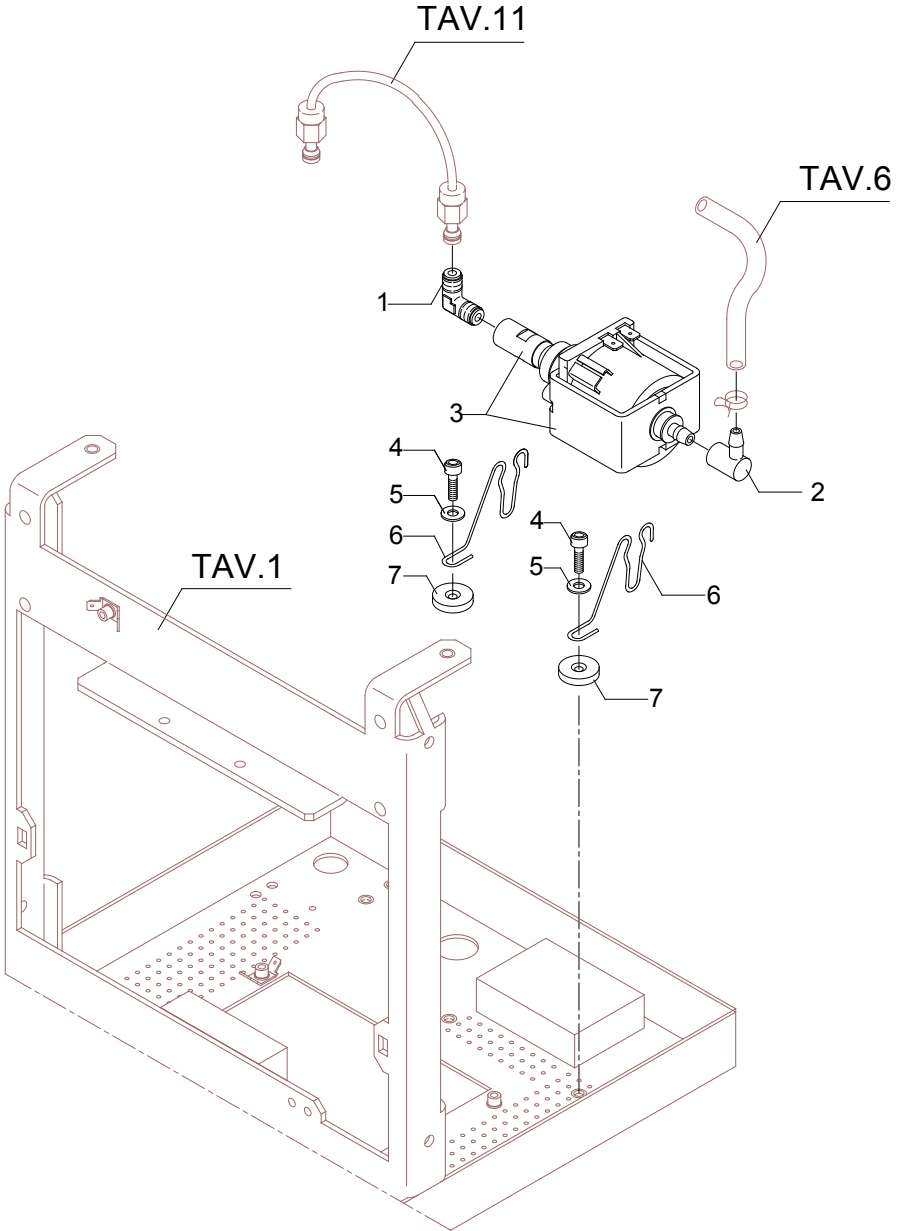


Table 8 (up to 01.07.06)
Mod. DE - PM

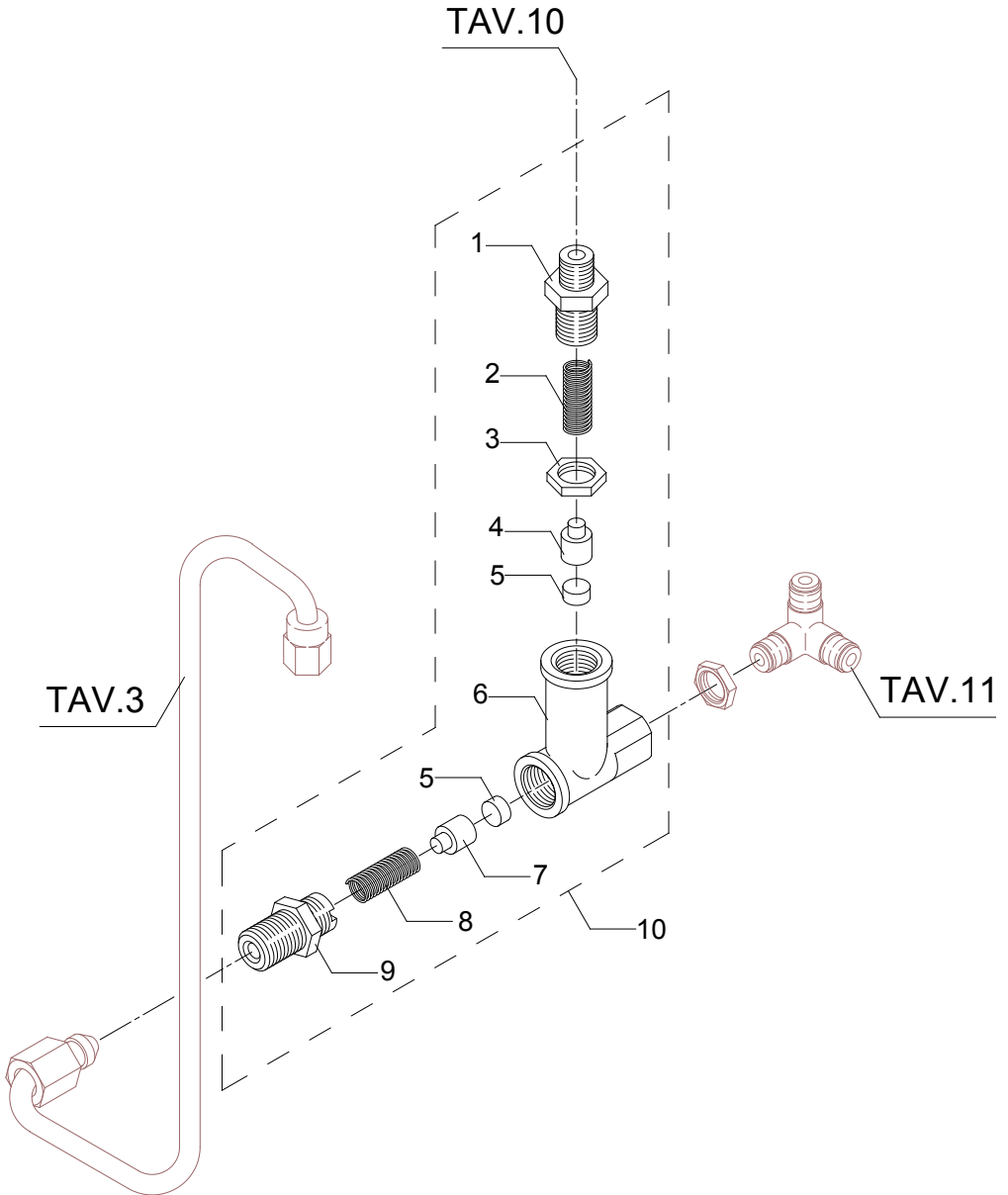


Table 8 (up to 30.09.08)
Mod. DE - PM

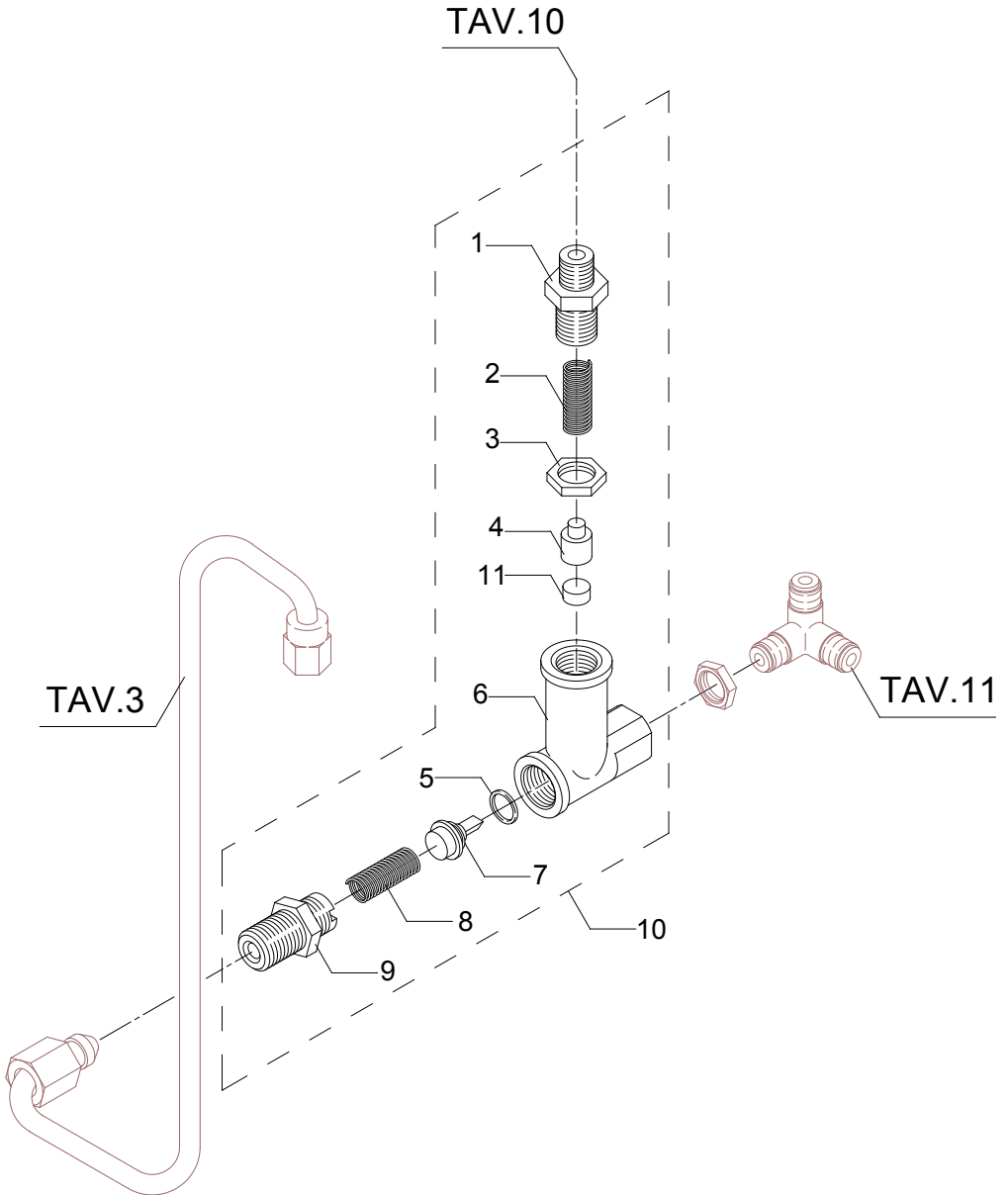


Table 8 (up to 30.10.12)
Mod. DE - PM

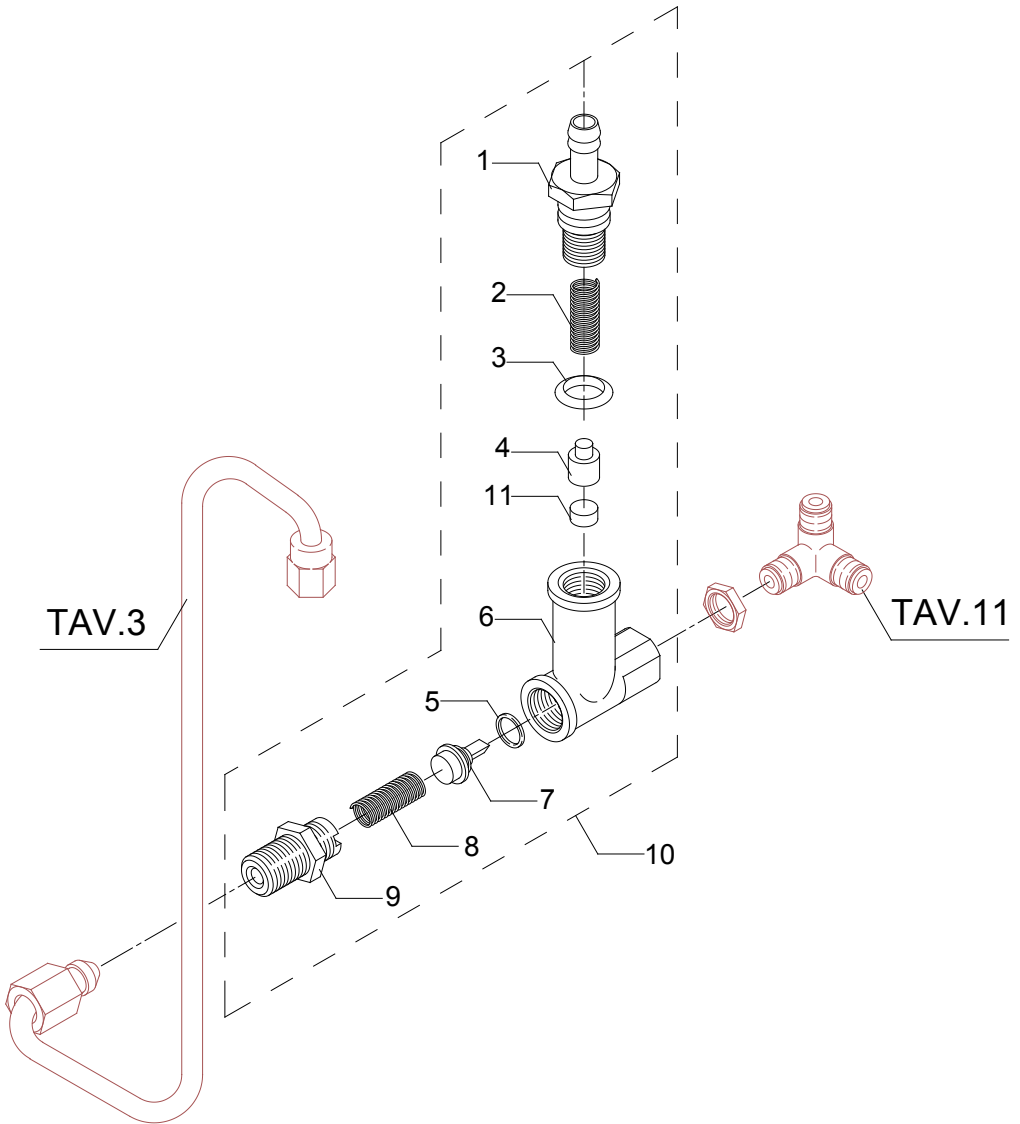


Table 8 (from 31.10.12)
Mod. DE - PM

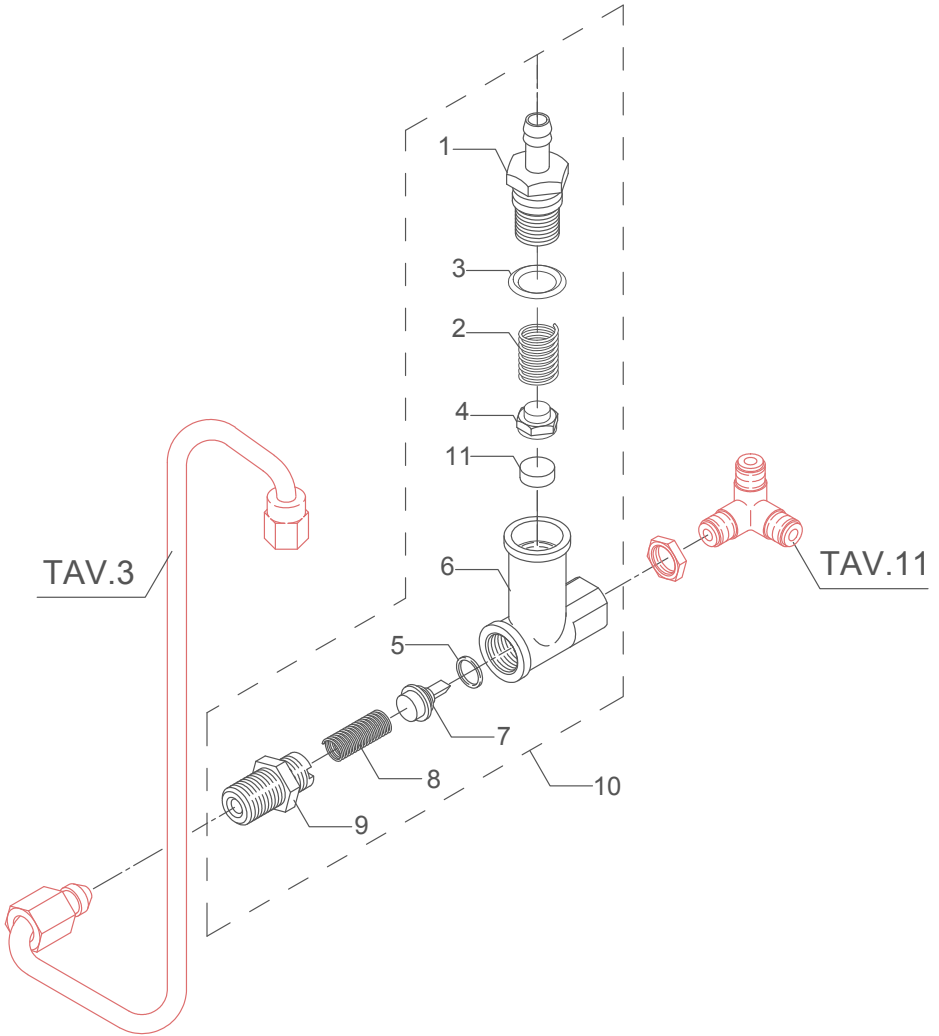


Table 9
Mod. DE - PM

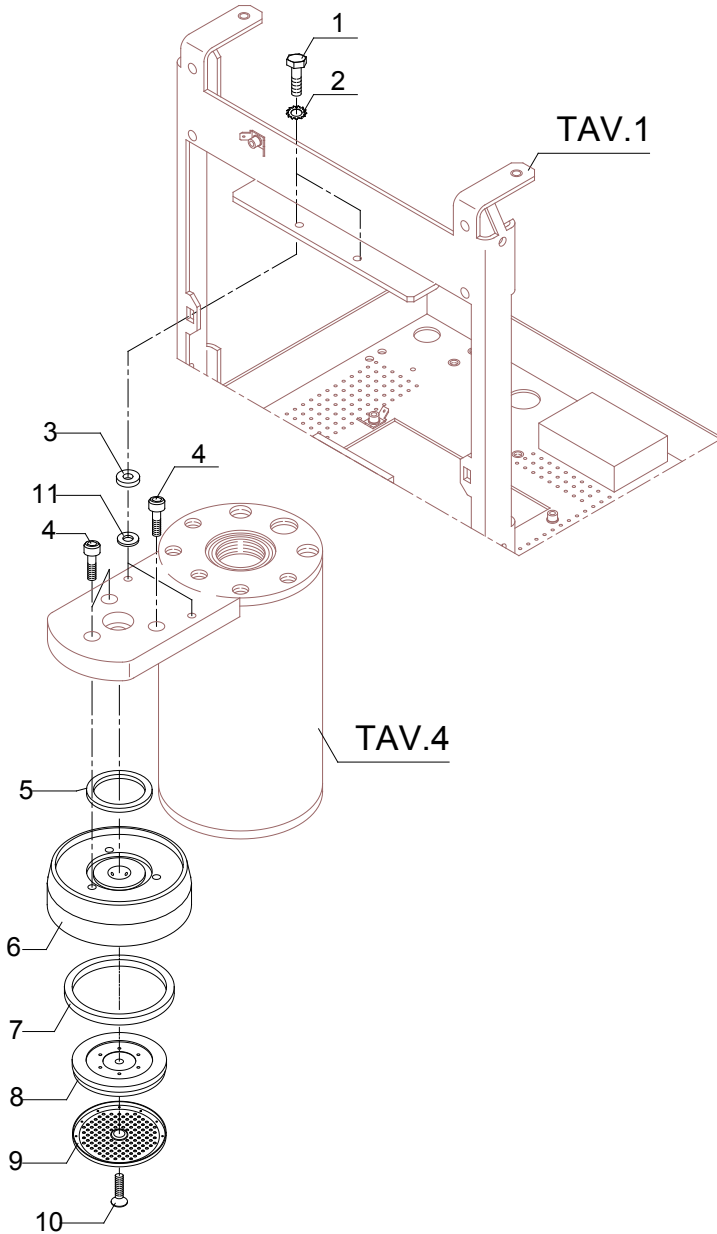


Table 10 (up to 11.05.09)
Mod. DE - PM

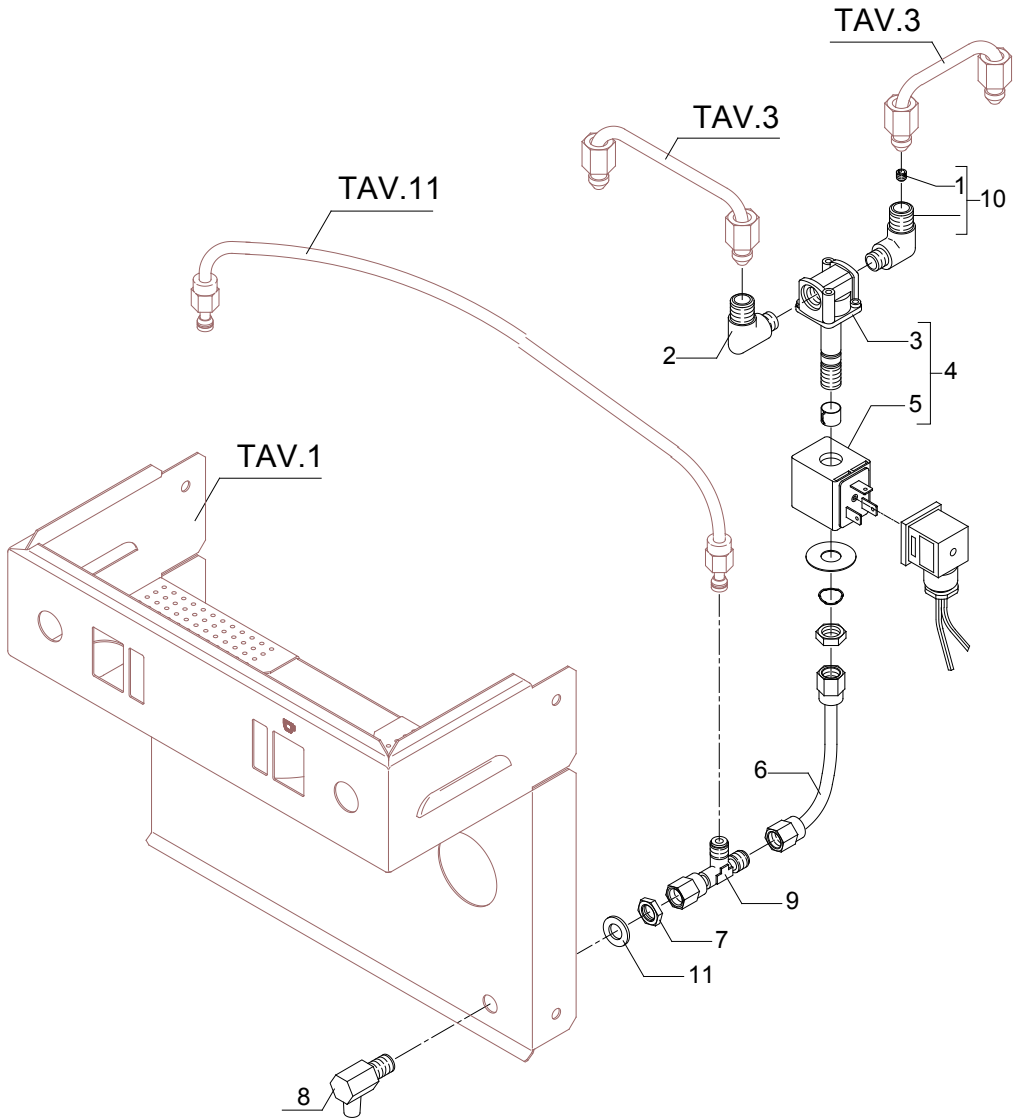


TABLE 10 (up to 01.04.13) Mod. DE - PM

POS	CODE	DESCRIPTION
1	5223005TP	JET M6 X 6 HOLE D1.2 OT
2	5301504TR	UNION ELBOW 1/8"G X M12
4	7701117	SOLENOID VALVE 3 WAY 115V ODE
4	7702316	SOLENOID VALVE 3 WAY 230V ODE
4	7702411	SOLENOID VALVE 3 WAY 240V ODE
6	5194558LL	SOLENOID VALVE DRAIN HOSE
7	5221844	NUT 1/8"G H3
8	5283018CM	DRAIN FITTING FOR SURPRESSION VALVE 1/8"G CHROMED
9	5973055	ASSEMBLY BANJO UNION
10	5973051	ASSEMBLY UNION ELBOW WITH JET
11	7815001	WASHER D10 UNI 6592 A2

Table 10 (up to 01.04.13)
Mod. DE - PM

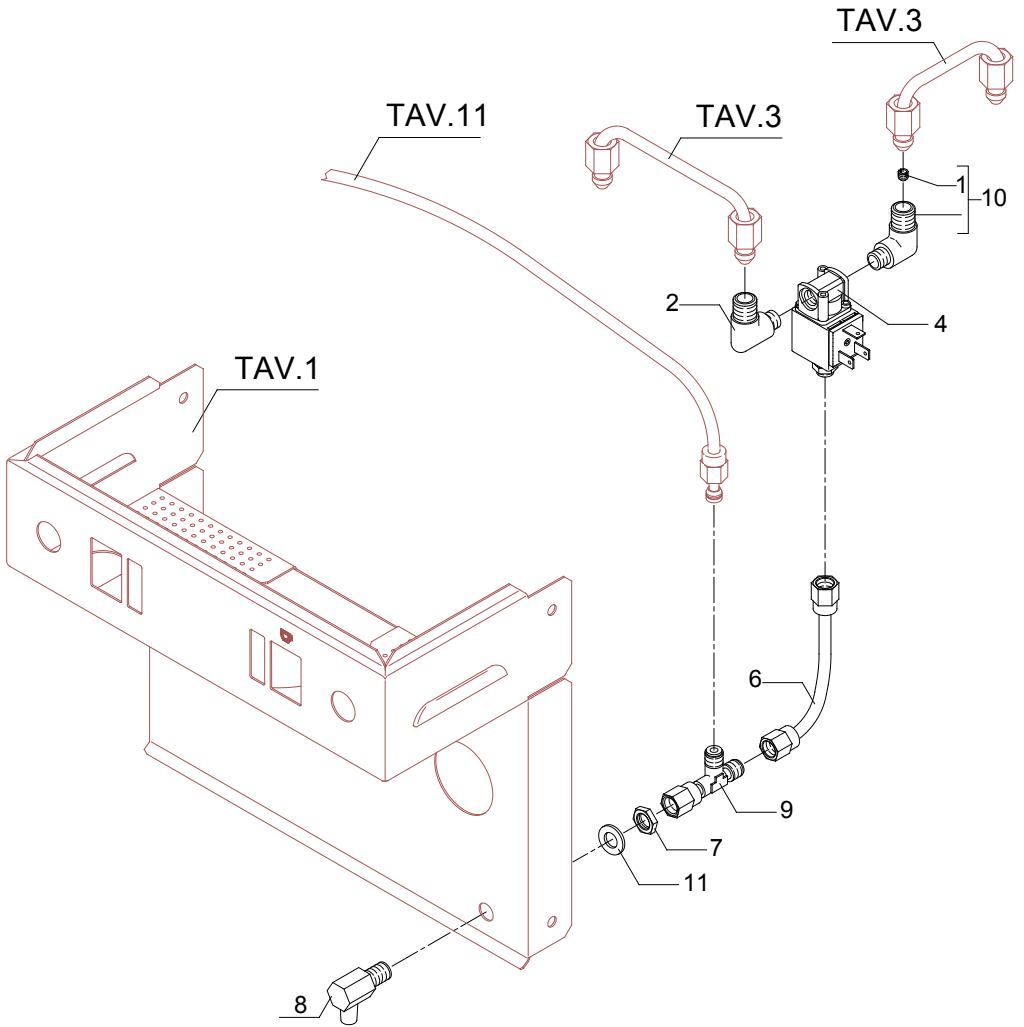
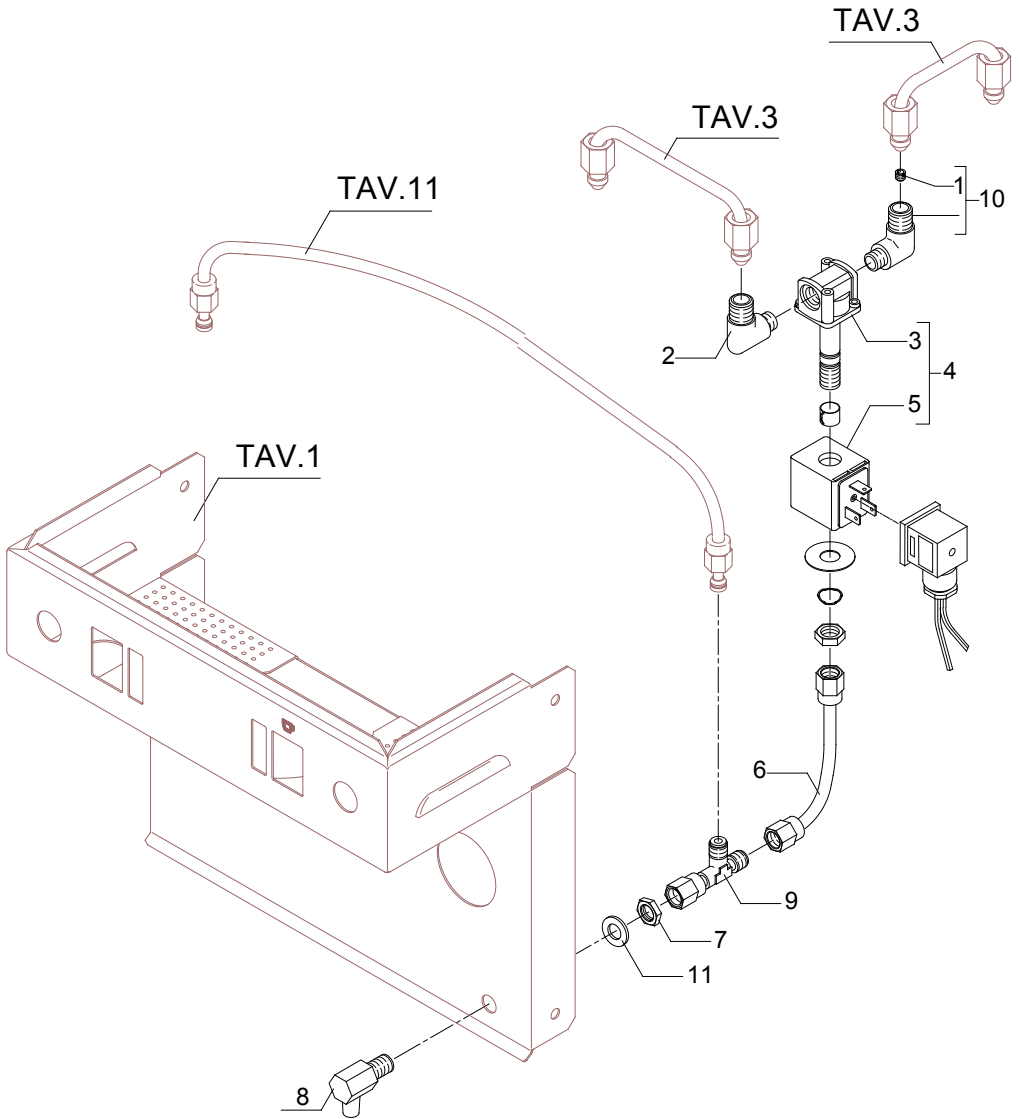
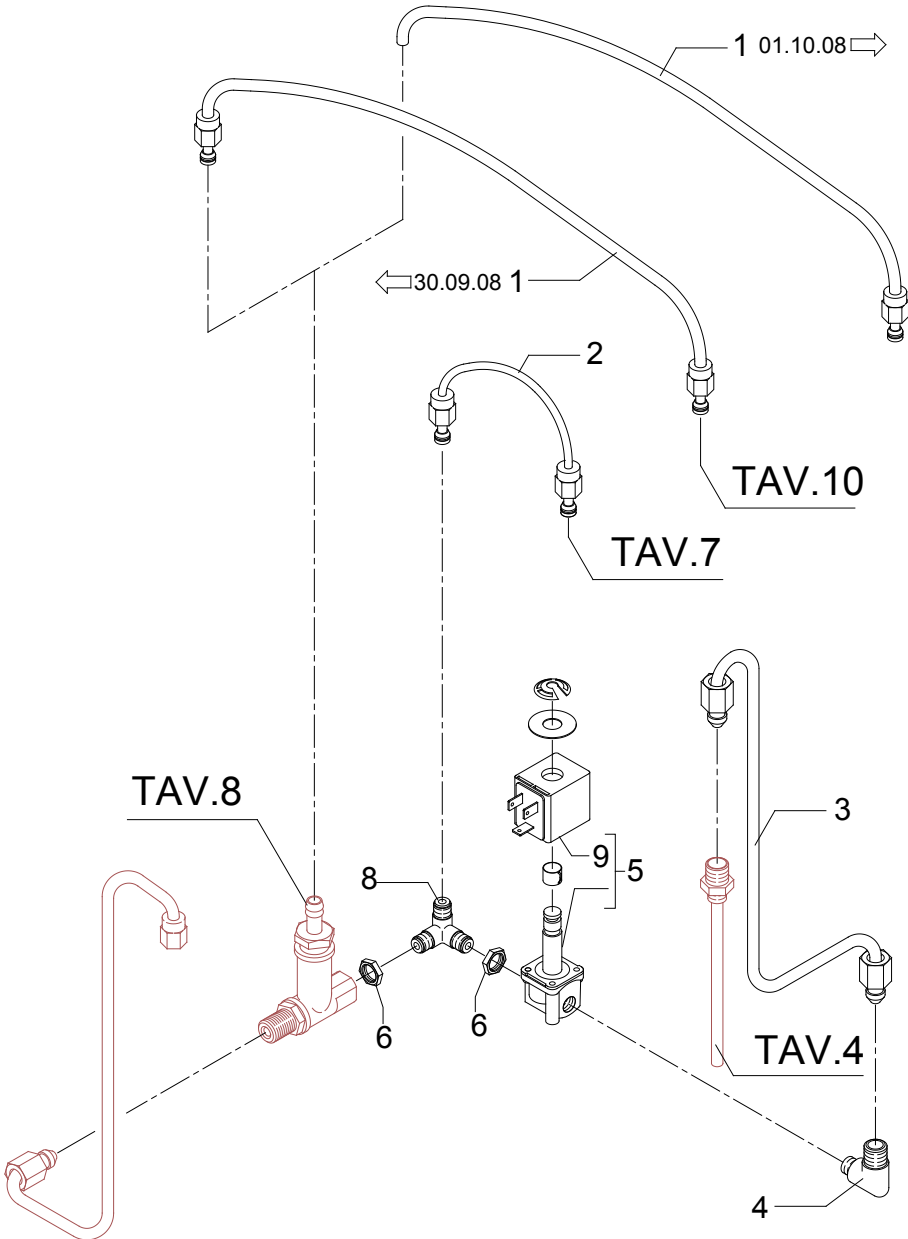


Table 10 (from 02.04.13)
Mod. DE - PM



POS	CODE	DESCRIPTION
TABLE 11 Mod. DE - PM	1	5194526LL SURPRESSION VALVE DRAIN HOSE (up to 30.09.08)
	1	5194526.01LL SURPRESSION VALVE DRAIN HOSE (from 01.10.08)
	2	5194527LL PUMP-SOLENOID VALVE HOSE
	3	5162052LL BOILER LOAD HOSE
	4	5301504TR UNION ELBOW 1/8”G X M12
	5	7701111 SOLENOID VALVE 2 WAY 115V PARKER
	5	7702310 SOLENOID VALVE 2 WAY 230V PARKER
	5	7702409 SOLENOID VALVE 2 WAY 240V PARKER
	6	5221844 NUT 1/8”G H3
	8	7304505TR FITTING 3 WAY 1/8” X 1/8”G OT
	9	7630327 SOLENOID VALVE COIL 110V PARKER
9	7630328 SOLENOID VALVE COIL 220/230V PARKER	
9	7630329 SOLENOID VALVE COIL 240V PARKER	

Table 11
Mod. DE - PM



	POS	CODE	DESCRIPTION
TABLE12 Mod. DE - PM	1	5373001	COFFEE-PRESS
	2	5372101	MEASURER
	3	5471003	BLIND FILTER
	4	5471010	FILTER 1 CUP 5 GRAMS
	4	5471023	FILTER 1 CUP 5 GRAMS WITH RUN CHANNEL
	4	5471004	FILTER 1 CUP 6 GRAMS
	4	5471020.01	FILTER 1 CUP 6 GRAMS WITH RUN CHANNEL
	5	5471007	FILTER 2 CUPS 12 GRAMS
	5	5471021.01	FILTER 2 CUPS 12 GRAMS WITH RUN CHANNEL
	5	5471009	FILTER 2 CUPS 14 GRAMS
	5	5471026.01	FILTER 2 CUPS 14 GRAMS WITH RUN CHANNEL
	6	5975506.03R	ASSEMBLY FILTER-HOLDER WITHOUT SPOUT
	7	5471527	FILTER-HOLDER SPRING D1.2 AISI 302
	8	5286016TW	FILTER-HOLDER
9	7371502	KNOB POLISHED	
10	7288505TW	SPOUT 1 WAY SHORT	
11	7288501TW	SPOUT 2 WAY SHORT	
12	5965603R	COMPLETE FILTER-HOLDER 1 CUP WITH 7288505TW (PASQUINI)	
13	5965604R	ASSEMBLY FILTER-HOLDER 2 CUPS	
14	5373915	PLUG	

Table12
Mod. DE - PM

